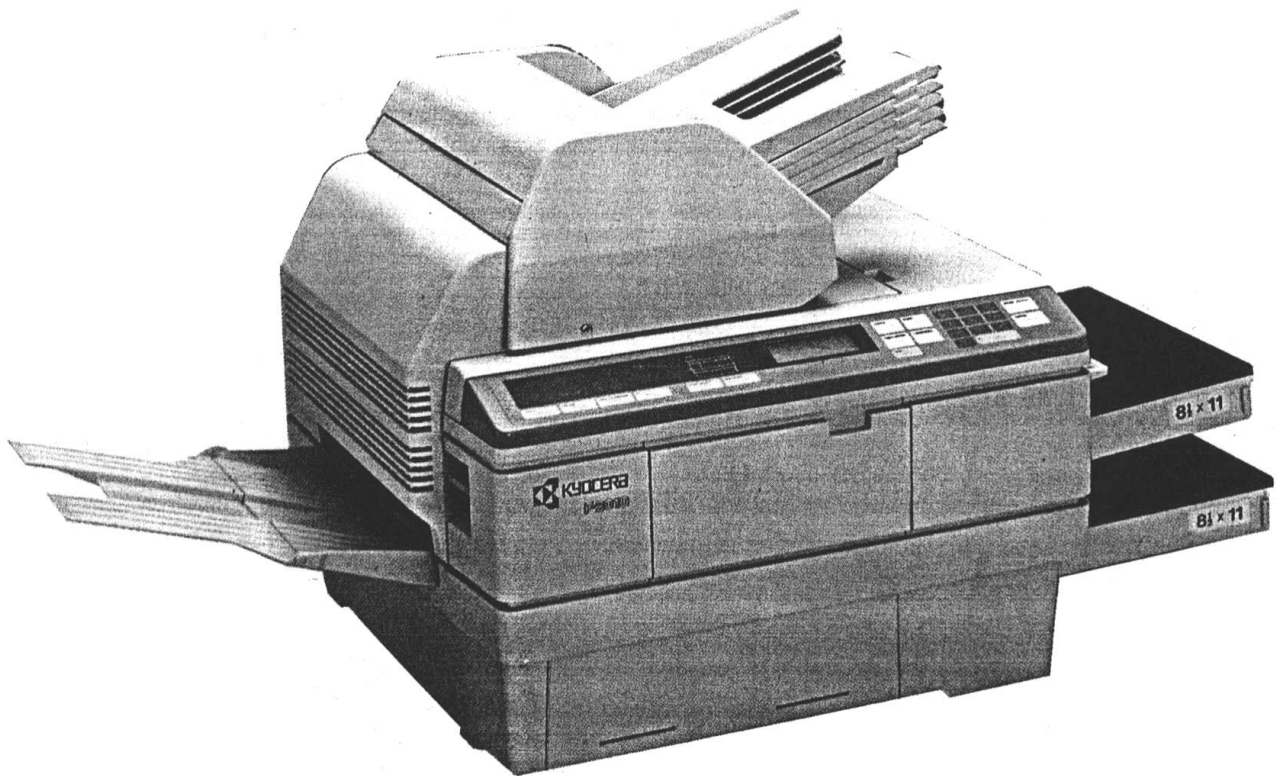




LASERBEAM PRINTER

F-2010



PARTS CATALOGUE

13-11-1998

F-2010 Parts Catalogue

Table of Contents

Covers (Fig.1).....	3
Upper Frame (Fig.2).....	5
Lower Frame (Fig.3).....	8
Unit Bottom (Fig.4).....	10
Drive Mechanism (Fig.5).....	12
Paper-feed Assembly (Fig.6).....	14
Face-down Unit (Fig.7).....	17
Laser Scanner Unit (Fig.8).....	19
Drum Cartridge (Fig.9).....	21
Developer (Fig.10).....	24
Fuser (Fig.11).....	26
Paper Cassette (Fig.12).....	28
Transfer Charger (Fig.13).....	30
Upper-Half (Electrical) (Fig.14).....	32
Lower-Half (Electrical) (Fig.15).....	34
Paper-Feed (Electrical) (Fig.16).....	36
Face-Down Unit (Electrical) (Fig.17).....	38
Fuser (Electrical) (Fig.18).....	40
Upper-Half (Harness) (Fig.19a).....	42
Lower-Half (Harness) (Fig.19b).....	44
Sorter (Optional) (Fig.20).....	46

Introduction

The figures which follow depict the major assemblies of the printer or option, broken down into components. Following each figure are the list giving the following information:

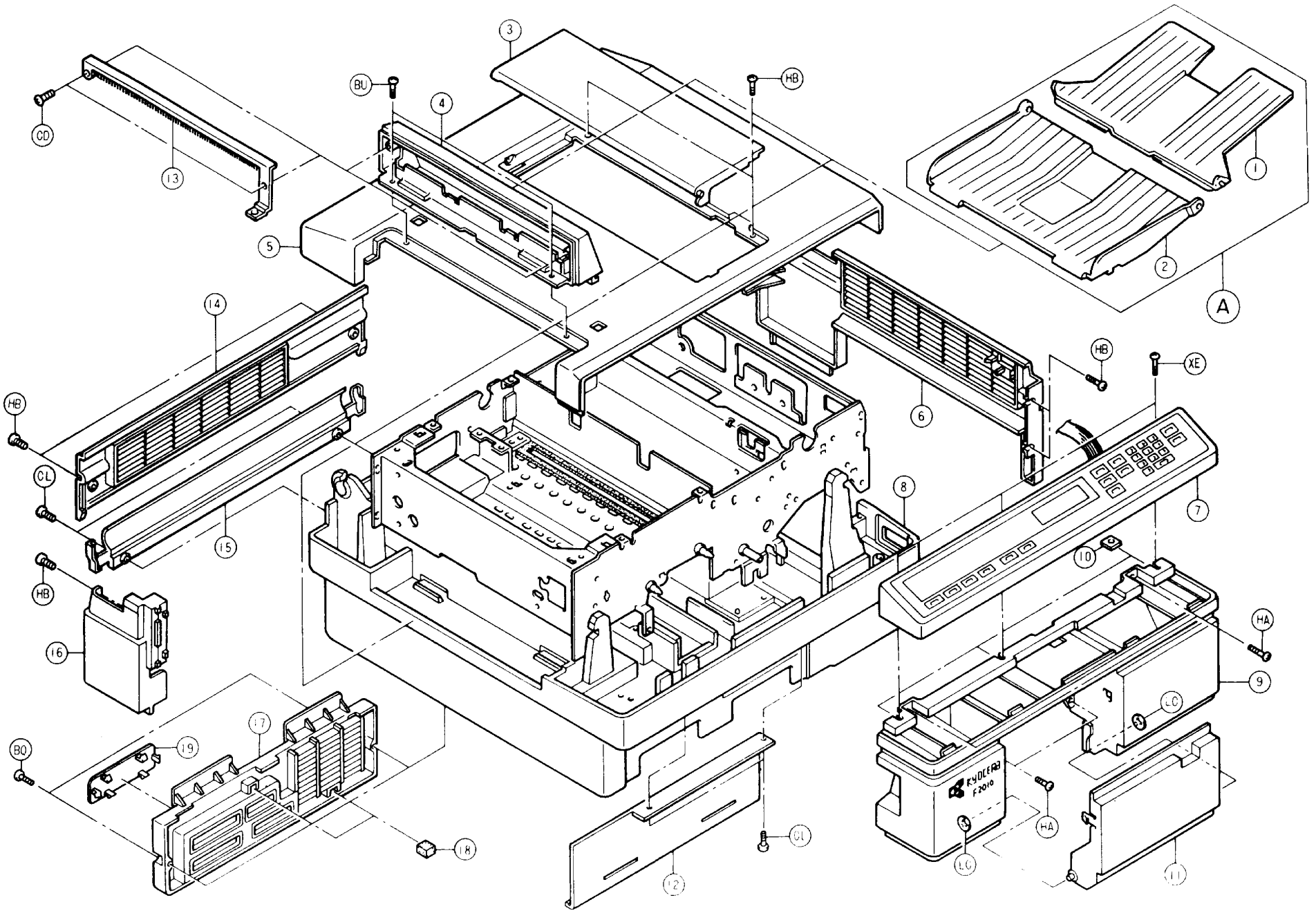
'Ref No.' Reference number which corresponds to the parts in the figure
'Part code'..... Part code which identifies the part
'Part description' A brief description of the part
'Quantity'..... Quantity of the part used in the printer or option

Only the parts highlighted in BOLD should be ordered. All other parts are for reference only and are not stocked.

Consumables and Maintenance Kits

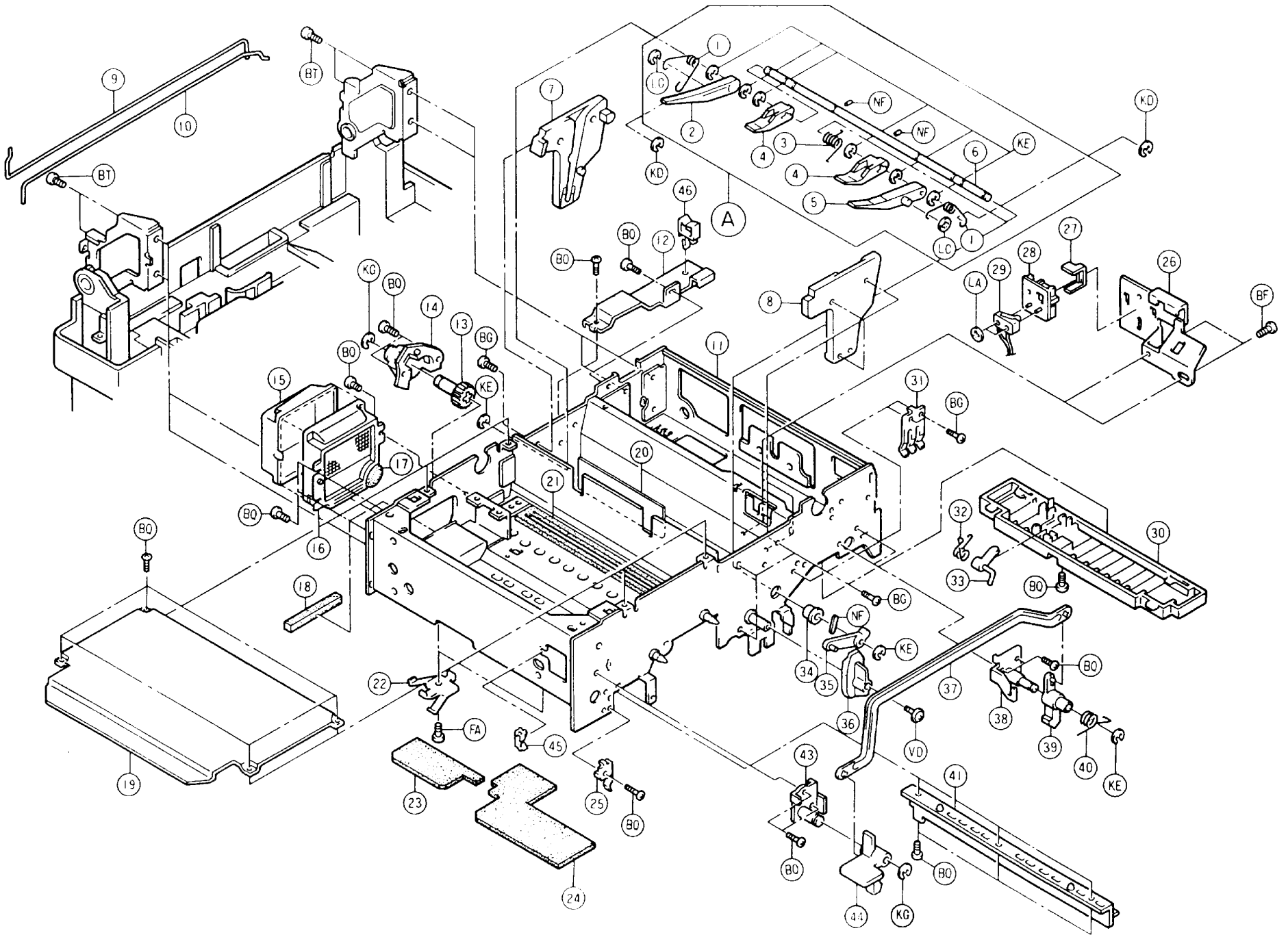
TK-3	Toner Kit
DK-3	Drum (10K pages)
DV-5	Developer (50K pages)
W-3	Fuser (80K pages)

Fig.1 – Covers



Ref No.	Part Code	Description	Quantity
01-00A	5AAMW1****09	Tray Assy	2
01-001		Print Tray B	2
01-002		Print Tray A	2
01-003	5MVB873SH008	DLP Cover	1
01-004		FD Sub Cover	1
01-005		Top Cover	1
01-006		Right Cover	1
01-007	5AAYF2010*23	Keyboard Assy	1
01-008		Base	1
01-009		Front Cover	1
01-010		Lock Nut	3
01-011		Open-Cover	1
01-012		Controller Panel F	2
01-013		FD ES Eliminator	1
01-014		Rear Cover	1
01-015	5MVX942SW001	Blind Cover	1
01-016		Left Cover	1
01-017		Controller Panel R	1
01-018		Cord Press	2
01-019		Option Cover	1

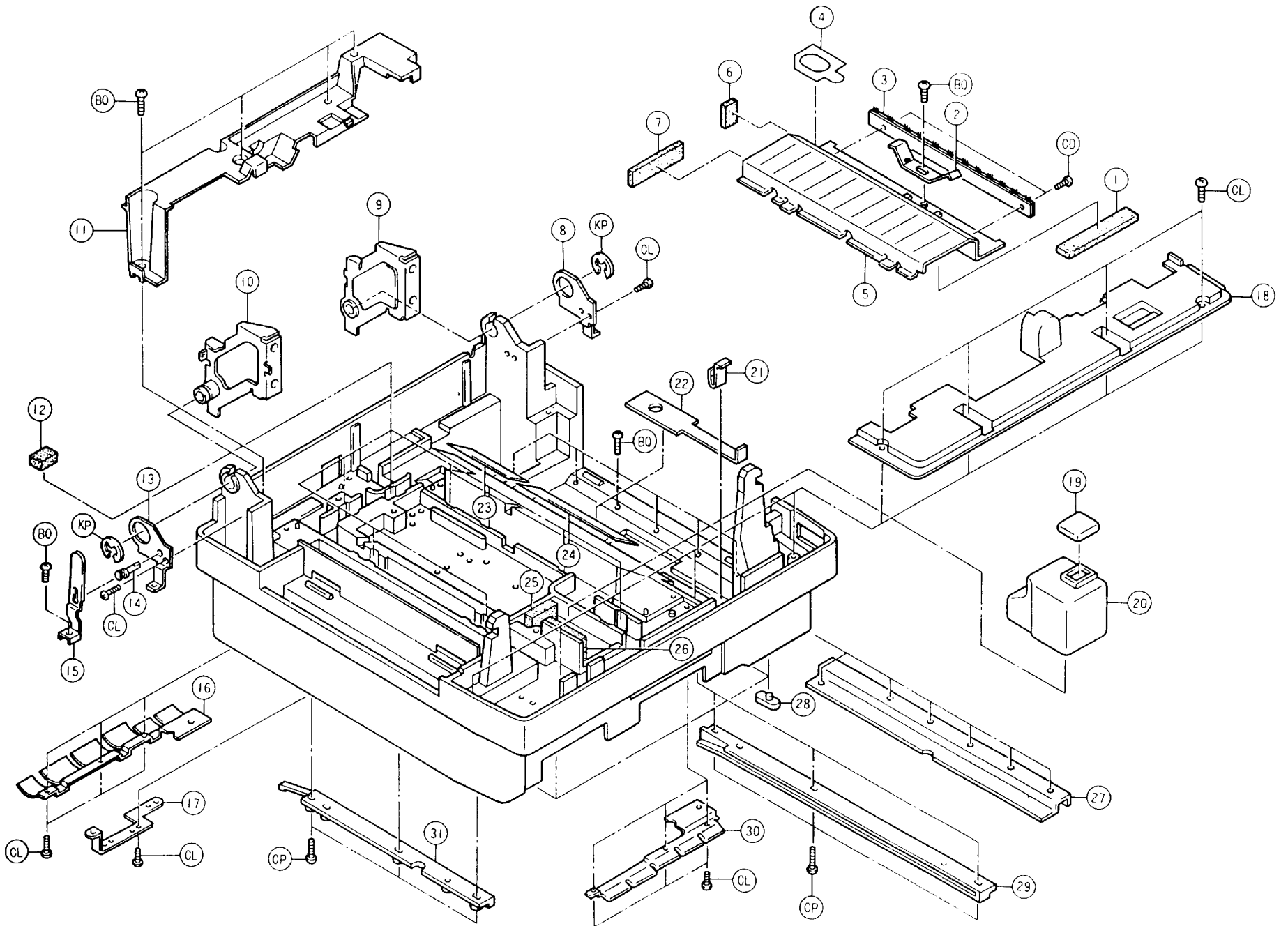
Fig.2 – Upper Frame



Ref No.	Part Code	Description	Quantity
02-00A	5AAYF1010*63	DLP Lever Assy	1
02-001	5MMW162LJ003	DLP Spring	2
02-002	5MVX632CX002	DLP Lever R	1
02-003	5MMW162LJ004	Lever B Spring	1
02-004	5MVX622CB007	DLP Lever B	2
02-005	5MVX632CX001	DLP Lever F	1
02-006	5MMT866SZ013	DLP Shaft	1
02-007		DLP Guide R	1
02-008		DLP Guide F	1
02-009		Torsion Bar A	1
02-010		Torsion Bar B	1
02-011		Frame Assy	1
02-012		Wire Support	1
02-013	5MVG138DB002	Drum Gear Z30	1
02-014	5MVX665CB01%	Drum Bearing	1
02-015		Nozzle B	1
02-016	5AAYW3****01	Filter Assy	1
02-017		Nozzle Seal	1
02-018		Wind Seal	1
02-019		Top Cover Plate	1
02-020		Toner Shutter	1
02-021		Scanner Pad	1
02-022		Cleaner Pressure	2
02-023		Fuser Upper Pad B	1
02-024		Fuser Upper Pad A	1
02-025	5MMX474RJ001	Earth Plate C	1
02-026	5MMX653SL006	Connector BKT	1
02-027	5MVU122DB002	Inter Lock SW Lever	1
02-028	5MVX443DB001	Inter Lock SW Bkt B	1
02-029	5AAXSW020GEA	Hopper SW Assy	1
02-030		M Feed Upper Guide	1
02-031	5MMP153CJ001	Frame Earth F'	1
02-032	5MMW161LJ008	Sensor Spring	1
02-033	5MVX442SB003	M Feed Sens Actuator	1
02-034		Drum Bushing R	1
02-035	5MVX622DB001	DLP Cam Lever B	1
02-036	5MVX643CX001	DLP Cam Lever	1
02-037		Hinge Arm	1
02-038	5MML144SL001	Hook Plate B	1
02-039	5MVX632DN001	Hinge Hook B	1
02-040		Hinge Spring	1
02-041		Unit Rail A	1
02-043	5MMX433SL002	Hook Plate A	1
02-044	5MVX632DN001	Hinge Hook A	1
02-045		Edging Saddle	1

Ref No.	Part Code	Description	Quantity
02-046		Wire Saddle	1

Fig.3 – Lower Frame



Ref No.	Part Code	Description	Quantity
03-001	5MVS618RB005	Seal A	1
03-002	5MMX641LJ001	TC UP Spring	1
03-003	5MMX852AJ001	TC Discharger	1
03-004		Blind Sheet	1
03-005	5MMU833SN002	Paper Guide Plate	1
03-006	5MVS218RB005	Seal D	1
03-007		Seal C	1
03-008		Base Hinge Plate R	1
03-009		Frame Arm R	1
03-010		Frame Arm L	1
03-011	5MVX865SB001	Inner Cover R	1
03-012		Cord Press	8
03-013		Base Hinge Plate L	1
03-014		Bar Stopper	1
03-015		Bar Stopper Spring	1
03-016	5MMX762CJ001	Controller Earth B	1
03-017		Earth Plate	1
03-018	5MVX964SB001	Inner Cover F	1
03-019		Toner Tank Cap	1
03-020		Toner Tank	1
03-021	5MMX222RJ001	Sensor Earth Plate	1
03-022	5MMS746SB001	Sensor Plate	1
03-023	5MVS622KF001	Guide Sheet R	1
03-024	5MVS722KF001	Guide Sheet F	1
03-025		Tank Pad A	1
03-026		Tank Pad B	1
03-027		Base Support	1
03-028		Foot	4
03-029		Controller Guide B	1
03-030		Controller Earth A	1
03-031		Controller Guide A	1

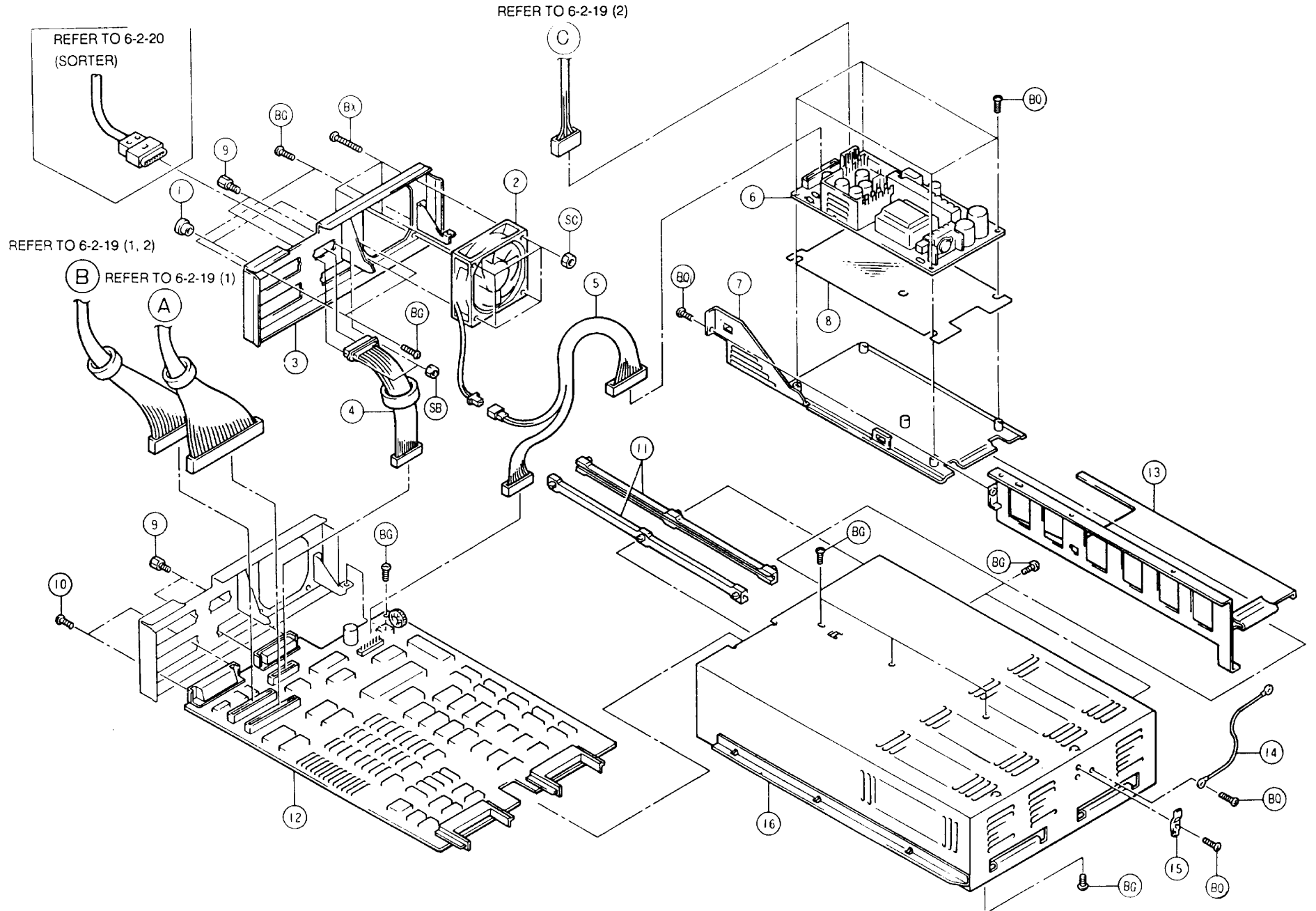
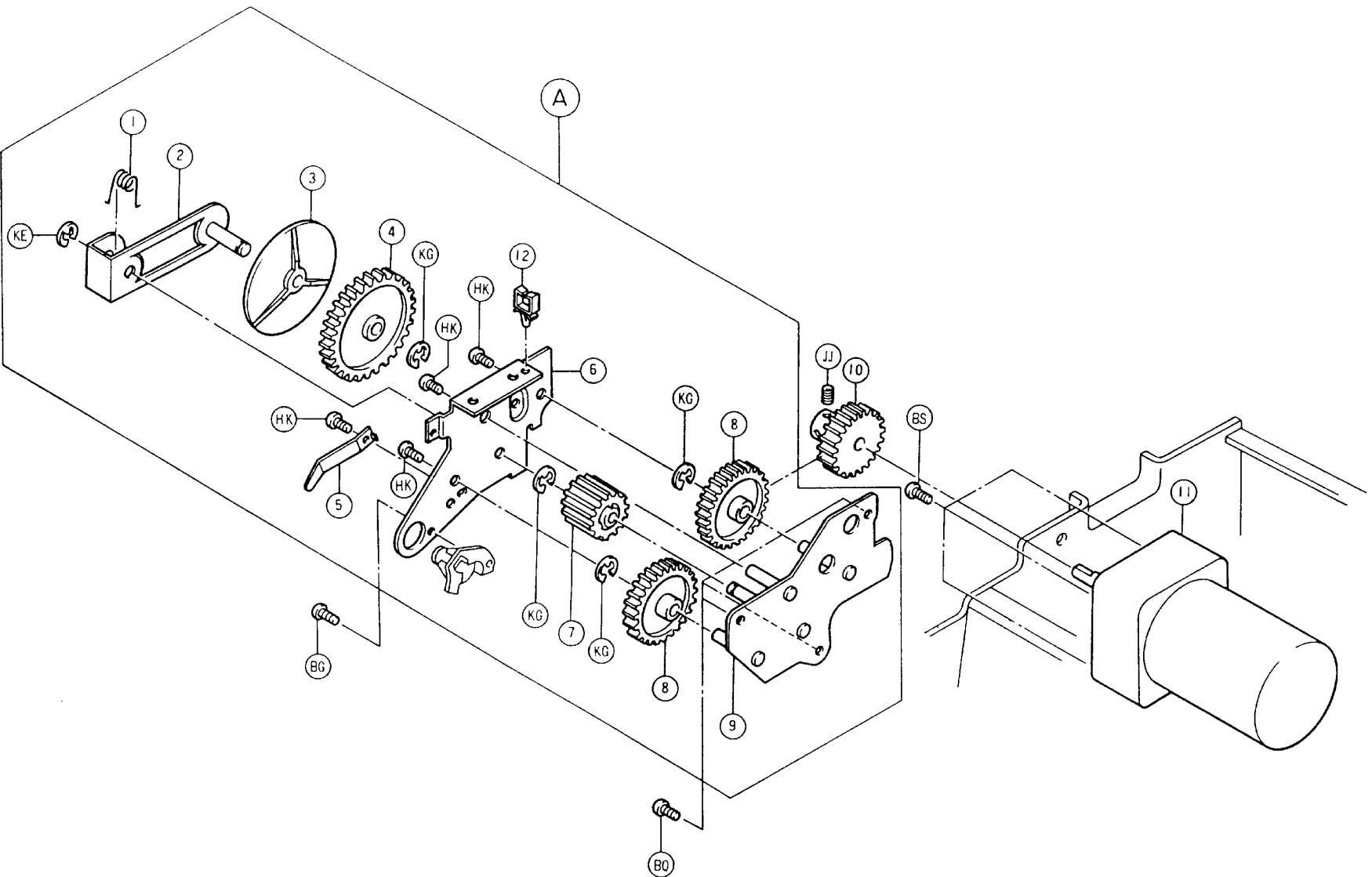


Fig.4 - Unit Bottom

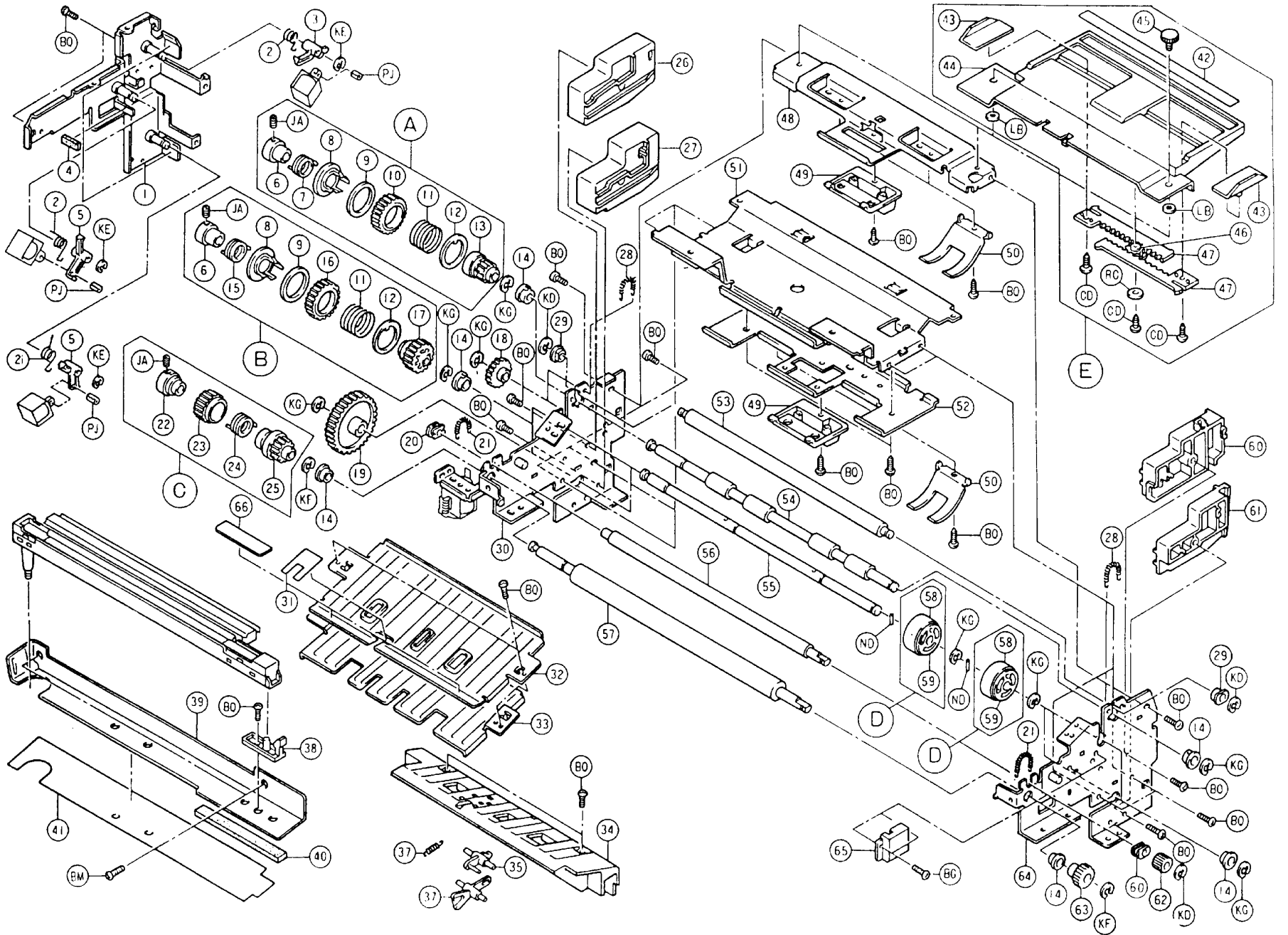
Ref No.	Part Code	Description	Quantity
04-001		Knob	2
04-002	5EZNF2402501*01	Fan Motor B	1
04-003		Cont. Box R Cov Assy	1
04-004		Conn Cord Assy CA4	1
04-005		Conn Cord Assy CA3	1
04-006	5AAEZW-1***3	DC Power Supply 240V	1
04-007		P/S Support KC	1
04-008		Sheet MT	1
04-009		Socket Main Logic	4
04-010		Pan Head Screw	2
04-011		PCB Guide Rail	2
04-012	5AAPRCZG4001AH	P.W.B Assy KP-017	1
04-013		Cont Middle Plate KC	1
04-014		Conn Cord Assy CA9	1
04-015		Cont Box Stopper	1
04-016		Cont Boc Assy KC	1

Fig.5 – Drive Mechanism



Ref No.	Part Code	Description	Quantity
05-00A	5AAYMT910*20	Drive Unit	1
05-001		Joint Spring	1
05-002		Joint Gear Plate	1
05-003		Collar 58	1
05-004		Joint Gear Z54	1
05-005		Drum Earth	1
05-006		Plate B	1
05-007		Gear Z44	1
05-008		Gear Z48	2
05-009		Plate A	1
05-010	5MMG138SX005	Motor Gear Z30	1
05-011	5EZNS180R401*01	DC Motor Assy	1
05-012		Wire Saddle	1

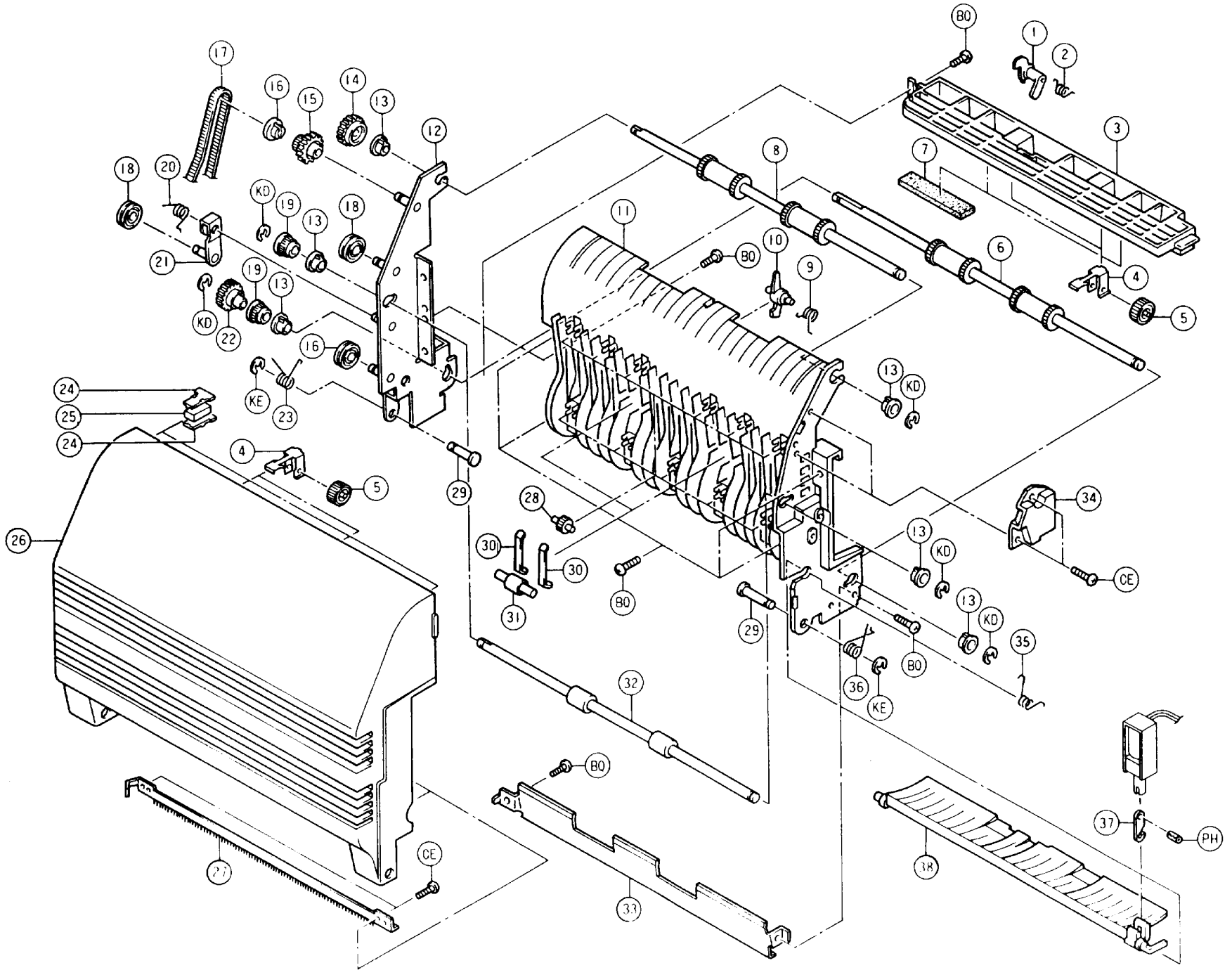
Fig.6 – Paper-feed Assembly



Ref No.	Part Code	Description	Quantity
06-000	5AAYF2010*07	Paper-Feed Assembly	1
06-001		Feed Sol Bracket	1
06-002		M Feed CL Cam Spring	3
06-003	5MVX432DW001	M Feed CL Cam Lev B	1
06-004		Solenoid Pad	3
06-005	5MVX442DN001	M Feed CL Cam Lev A	2
06-00A	5AAVCLTCH005	Manual Feed Clutch	1
06-006		M Feed Clutch Boss	3
06-007		M Feed Wrap Spring B	1
06-008		Ratchet Spring	3
06-009		Brake Ring	3
06-010		M Feed CL Ratchet B	1
06-011		M Feed CL Spring	8
06-012		Spring Stopper	2
06-013		M Feed Clutch Gear Z16	2
06-014	5MMM176CJ001	Metal Bush KD	2
06-00B	5AAVCLTCH004	Paper Feed Clutch A	2
06-015		M Feed Wrap Spring A	2
06-016		M Feed CL Ratchet	2
06-017		Feed Clutch Gear Z26	2
06-018	5MVG138DN011	Feed Unit Gear Z28	2
06-019	5MVG169DB001	Feed Unit Gear Z65	2
06-020	5MMM121XJ001	Regist Roller Bush	2
06-021	5MMW241LJ009	Regist Spring	2
06-00C	5AAVCLTCH003	Regist Clutch	1
06-022		Feed Clutch Boss	1
06-023		Regist Clutch Cam	1
06-024		Regist Wrap Spring	1
06-025		Regist CL Gear Z16	1
06-026		Cassette Guide UR	1
06-027		Cassette Guide LR	1
06-028	5MMW341LJ001	M Feed Spring	2
06-029		MF Bush	2
06-030		Feed Unit Frame R	1
06-031		Guide Sheet PS	1
06-032		M Feed Paper Chute A	1
06-033		M Feed Paper Chute B	1
06-034		Paper Guide	1
06-035	5MVX331DB003	Actuator B	1
06-036	5MVX532DB002	Actuator A	1
06-038	5MVX532DD002	TC Guide	1
06-039		TC Supporter	1
06-040		Seal B	1
06-041		Cover Sheet	1
06-00E	5AAMF2010*01	MF Plate Assy	1

Ref No.	Part Code	Description	Quantity
06-042		MF Size Label	1
06-043		MF Paper Guide	2
06-044		MF Plate	1
06-045		SAM Screw M4X10	2
06-046		MF Gear Z20	1
06-047		MF Guide Rack	2
06-048		Feed Unit Stay A	1
06-049		Sensor Cover	2
06-050		Paper Holder	4
06-051		Feed Unit Stay B	1
06-052		Sensor Plate A	1
06-053		M Feed Roller B	1
06-054	5MMT876SN008	M Feed Roller A	1
06-055		Feed Roll Shaft	2
06-056		Regist Roller A	1
06-057	5MMT876SN006	Regist Roller B	1
06-00D	5AAVROLL*007	Feed Tyre Assy	4
06-058		Feed Tyre	4
06-059		Feed Wheel	4
06-060		Cassette Guide UF	1
06-061		Cassette Guide LF	1
06-062	5MVG127DN017	Regist Gear Z20	1
06-063	5MVG147DN001	Regist Gear Z32	1
06-064		Feed Unit Frame F	1
06-065		Main SW BKT	1
06-066		Paper Chute Guide	2

Fig. 7 - Face-down Unit



Ref No.	Part Code	Description	Quantity
07-000	5AAYF2010*02	Face-Down Unit	1
07-001	5MVX422DB002	Jam Actuator	1
07-002		FU Actuator Spring	1
07-003		FD Paper Guide	1
07-004		Exit Pulley Bracket	4
07-005		FD Feed Pulley	4
07-006	5MMT876SN011	FD Enter Roller	1
07-007		Seal C	2
07-008	5MMT876SN012	FD Exit Roller	1
07-009	5MMW163LJ001	FD Actuator SP	1
07-010	5MVX422DB003	FD Jam Actuator	1
07-011		FD Guide	1
07-012		Side Plate	1
07-013	5MVM176DN009	Bearing	6
07-014	5MVG127DB002	FD Exit Gear	1
07-015	5MVG022DB001	Belt Pulley Gear	1
07-016		Pulley Flange	1
07-017	5MVX917RB001	FD Belt	1
07-018	5MVM177DB004	Belt Idle Pulley	3
07-019	5MVG327DB001	Belt Pulley	2
07-020		Idle Spring	1
07-021		Idle Bracket	1
07-022	5MVG127DB001	FD Joint Gear Z20	1
07-023		FD Spring R	1
07-024		FD Magnet Plate	4
07-025		FD Magnet	2
07-026		FD Cover	1
07-027	5MMX822LJ001	FU ES Eliminator	1
07-028	5MVM174DB001	FD Exit Pulley	11
07-029		FD Pin	2
07-030	5MMU131LJ001	FD Pressure	4
07-031	5MVM474DB001	FD Pulley B	2
07-032	5MMT876SN010	FD Middle Roller	1
07-033		FD Outlet Cover	1
07-034		FD Switch Cover	1
07-035		Solenoid Spring	1
07-036		FD Spring F	1
07-037	5MVX211DB002	Link Plate	1
07-038		Change Plate	1

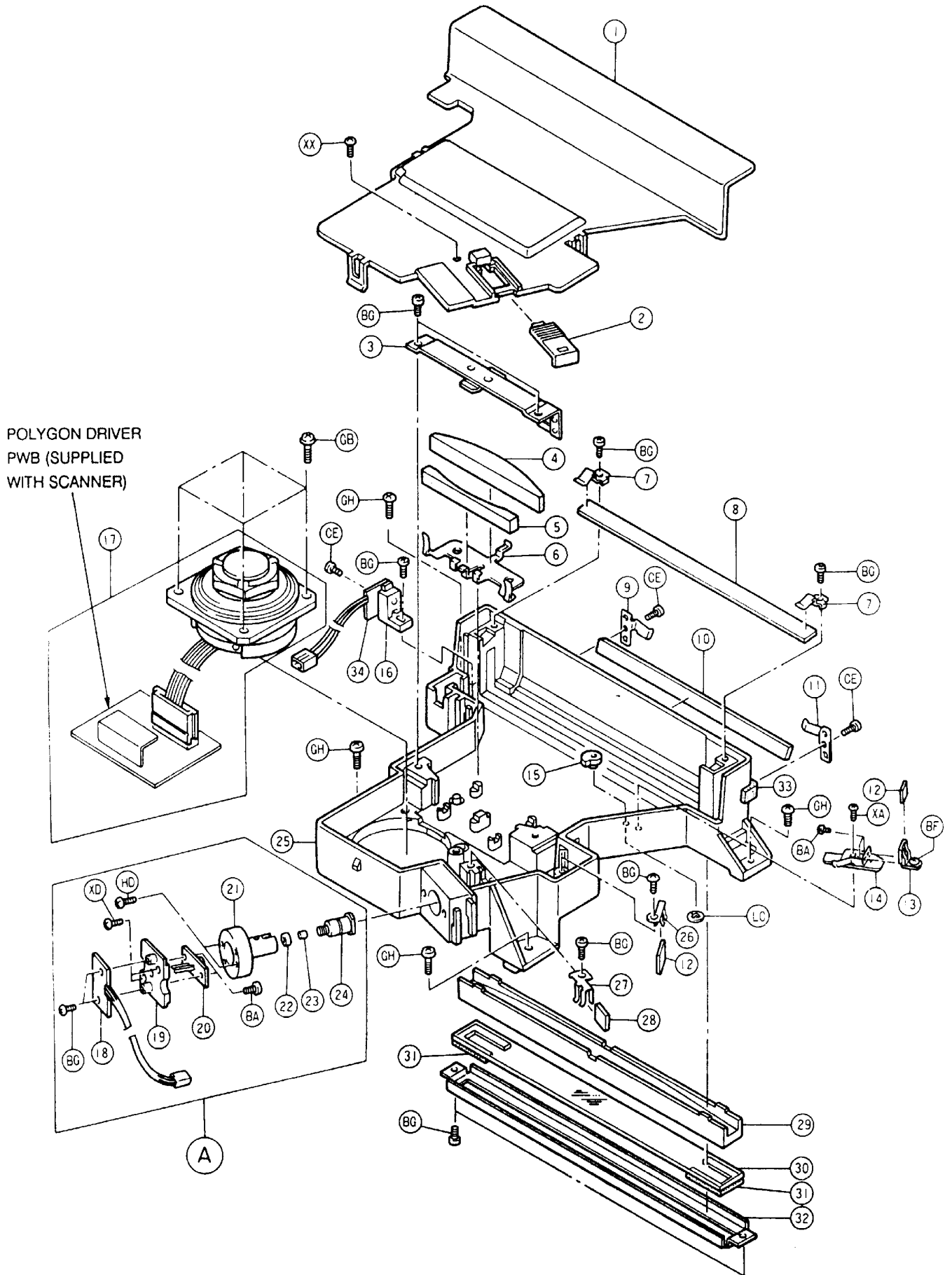
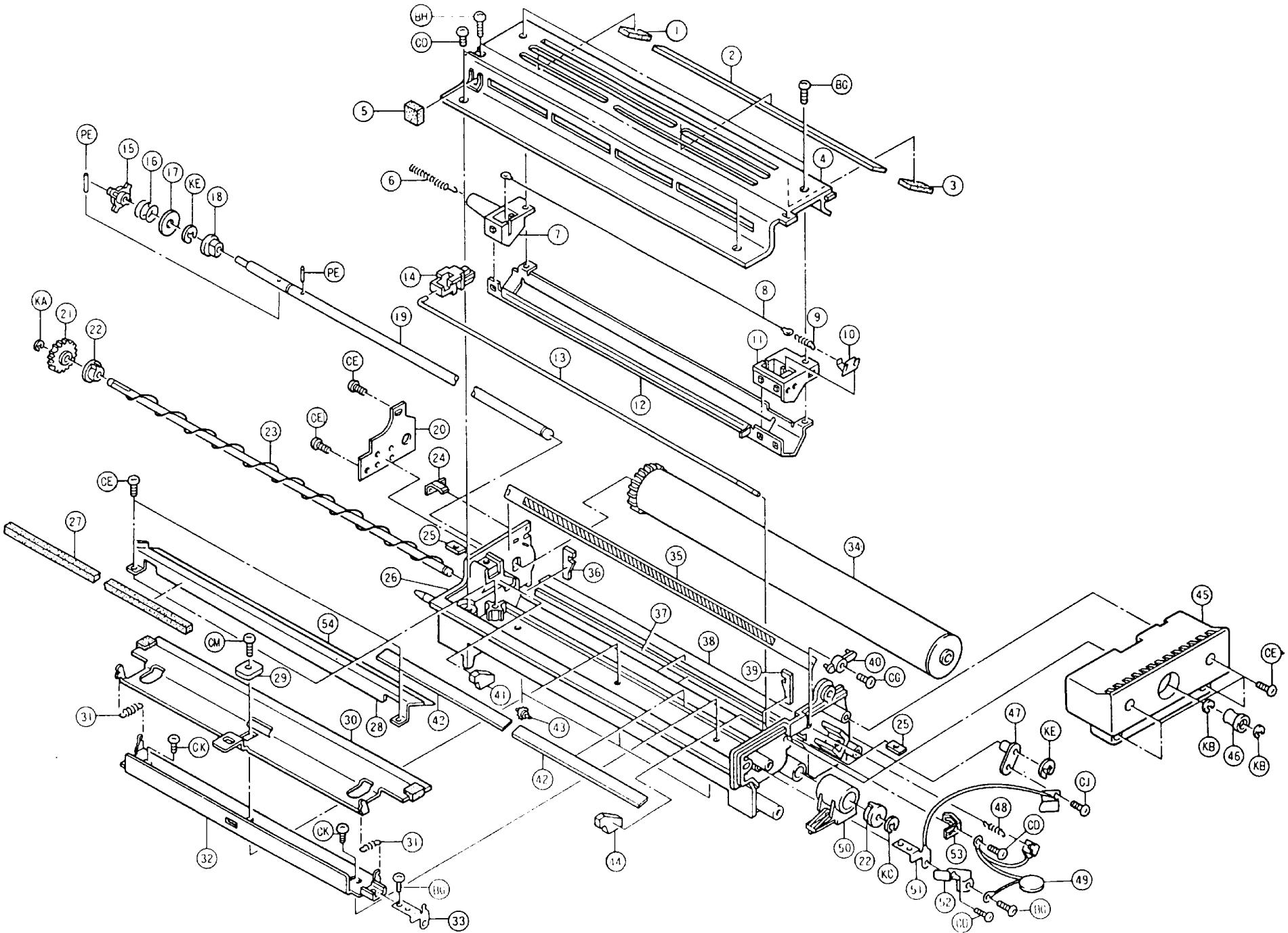


Fig.8 - Laser Scanner Unit

Ref No.	Part Code	Description	Quantity
08-000	5AAYF1010*14	Scanner Unit 240V	1
08-001		Scanner Cover	1
08-002	5MVS422SB001	Scanner Cover Lid	1
08-003		LENS SUPPORT ASSY	1
08-004		LENS A	1
08-005		LENS B	1
08-006		LENS SPRING A	1
08-007		MIRROR STOPPER A	2
08-008		MIRROR A	1
08-009		MIRROR STOPPER BE	1
08-010		MIRROR B	1
08-011		MIRROR STOPPER BR	1
08-012		MIRROR C	2
08-013		MIRROR HOLDER ASSY	1
08-014		MIRROR BASE ASSY	1
08-015		S MIRROR CAM	1
08-016		SENSOR HOLDER	1
08-017		POLYGON UNIT	1
08-00A		LASER MODULE	1
08-018		LO PWB	1
08-019		LASER BRACKET	1
08-020		LASER DIODE	1
08-021		S LENS BRACKET	1
08-022		APERTURE	1
08-023		SELFOC LENS	1
08-024		S LENS HOLDER	1
08-025		SCANNER FRAME	1
08-026		MIRROR C SUPPORT	1
08-027		C LENS SUPPORT	1
08-028		CLYNDRICAL LENS	1
08-029		TORIC LENS	1
08-030		COVER GLASS	1
08-031		TORIC PAD	2
08-032		T LENS GUIDE	1
08-033		SCANNER SEAL	1
08-034		PD PWB	1

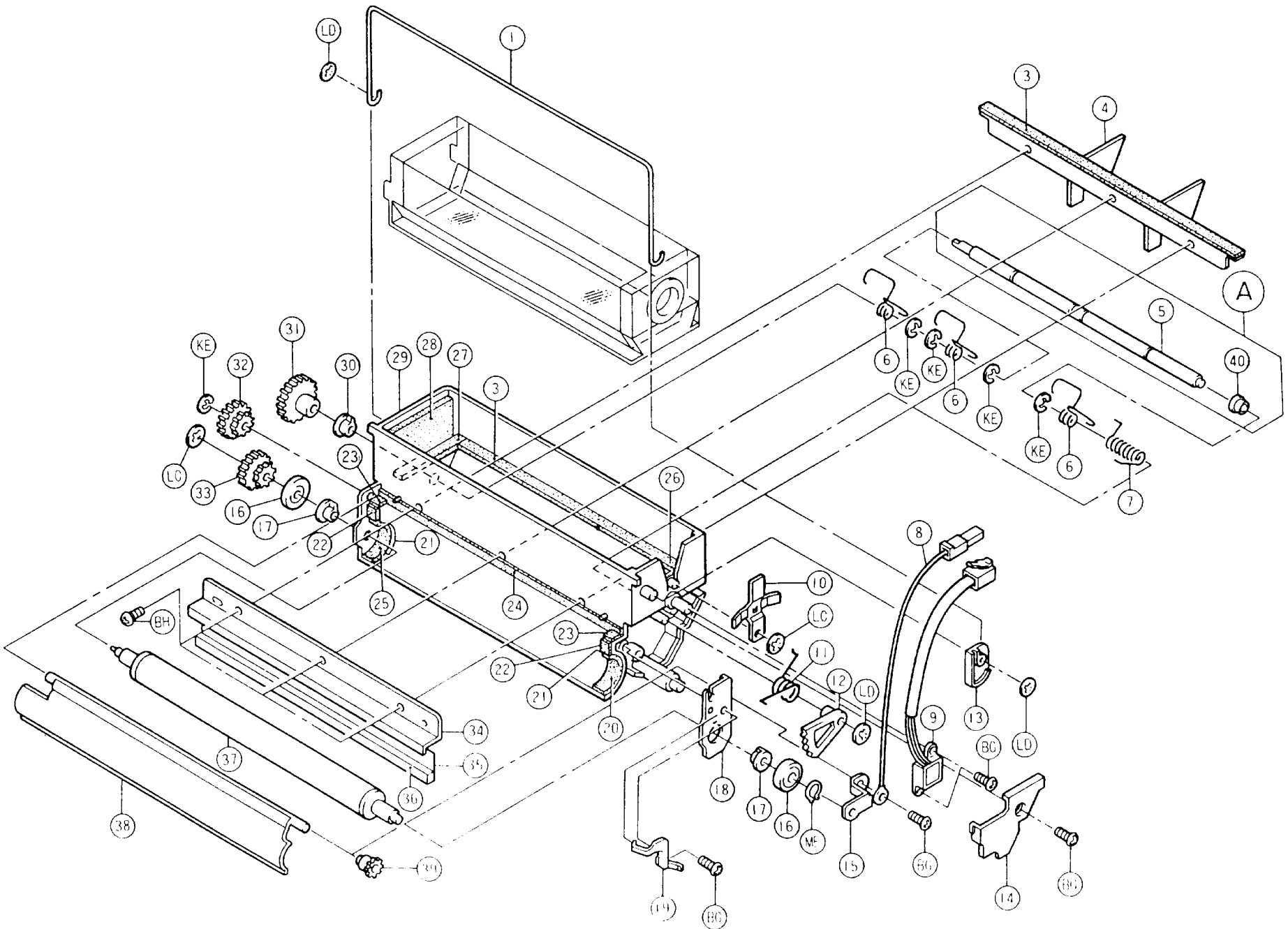
Fig.9 – Drum Cartridge



Ref No.	Part Code	Description	Quantity
09-000	DK-3	DRUM CARTRIDGE	1
09-001		DRUM WIPER R	1
09-002		COVER MAGNET	1
09-003		DRUM WIPER F	1
09-004		DRUM COVER	1
09-005		ERASE CLEANING PAD	1
09-006		MCH SPRING	1
09-007		MCH END BLOCK R	1
09-008		CORONA WIRE	1
09-009		CHG SPRING B	1
09-010		MCH WIRE HOOK F	1
09-011		MCH END BLOCK F	1
09-012		MCH SHIELD	1
09-013		MCH CLEANER ROD	1
09-014		MCH CLEANER ASSY	1
09-015		DRUM ACTUATOR	1
09-016		ACTUATOR SPRING	1
09-017		DRUM SPRING STOPPER	1
09-018		DRUM BUSHING R	1
09-019		DRUM SHAFT	1
09-020		PRINTED W.BOARD	1
09-021		SCREW GEAR Z20	1
09-022		SCREW BUSHING	2
09-023		CLEANER SCREW	1
09-024		SEAL EARTH TAB A	1
09-025		M3 PLATE	2
09-026		DRUM FRAME	1
09-027		REFLECTOR SHEAL	1
09-028		ERASE REFLECTOR	1
09-029		BLADE BUSHING	1
09-030		CL BLADE ASSY	1
09-031		CLEANER SPRING	2
09-032		BLADE HOLDER	1
09-033		BLADE EARTH TAB	1
09-034		DRUM ASSY	1
09-035		MCH GRID	1
09-036		BLADE SEAL R	1
09-037		SEAL MAGNET	1
09-038		DRUM SEAL	1
09-039		BLADE SEAL F	1
09-040		MCH F STOPPER	1
09-041		REFLECTOR SHEAL R	1
09-042		CLEANER PLATE	2
09-043		GUIDE SPUR RING	3

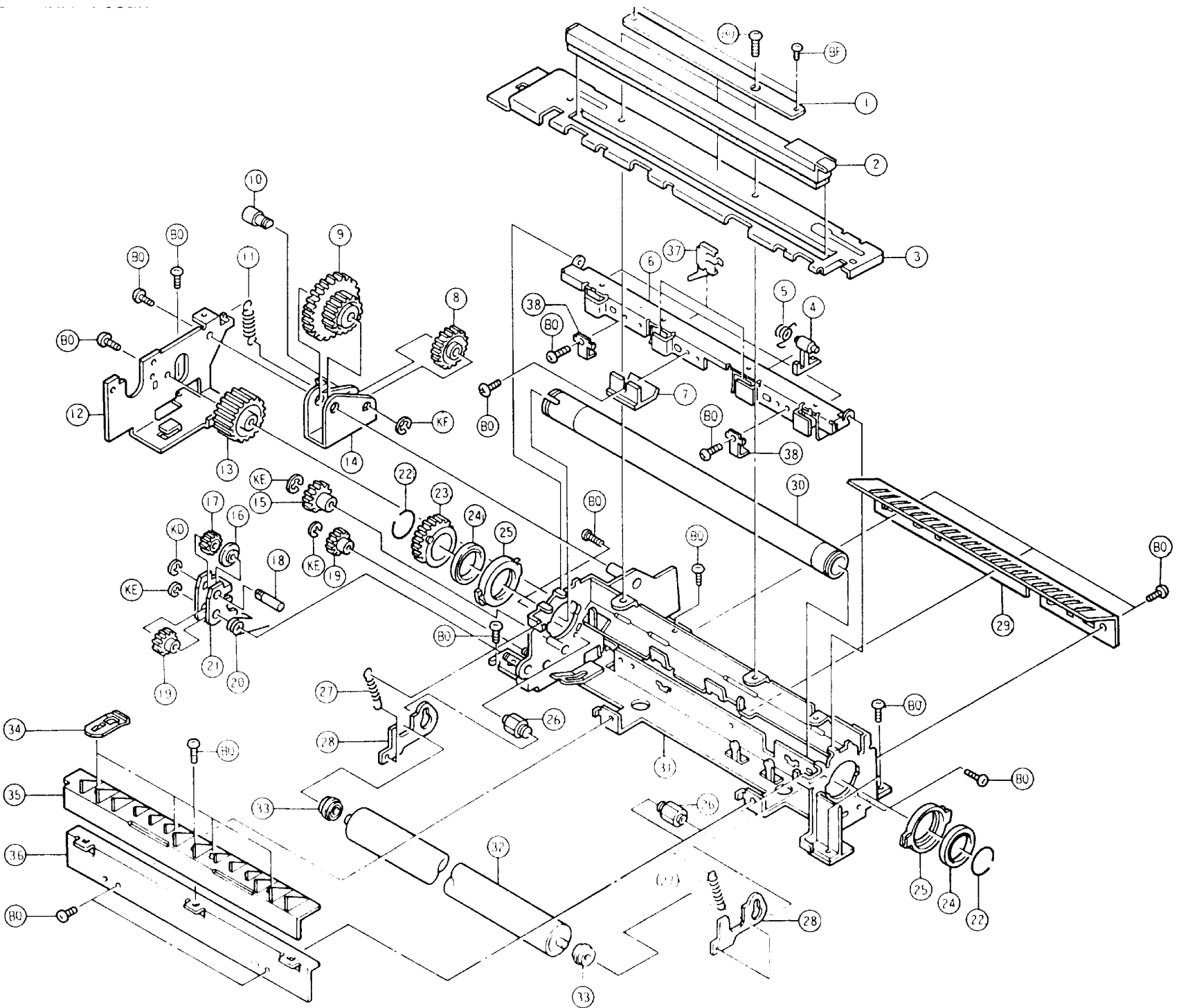
Ref No.	Part Code	Description	Quantity
09-044		REFLECTOR SHEAL F	1
09-045		DRUM FRAME COVER F	1
09-046		MCH CLEANER KNOB	1
09-047		DRUM BUSHING F	1
09-048		MCH GRID SPRING	1
09-049		ZENER DIODE ASSY	1
09-050		SCREW BRACKET ASSY	1
09-051		CABLE ASSY PCA2033	1
09-052		DRUM EARTH PLATE	1
09-053		MCH GRID TAB	1

Fig.10 – Developer



Ref No.	Part Code	Description	Quantity
10-000	DV-4	DEVELOPER	1
10-001		DLP HANDLE	1
10-003		DLP SEAL A	2
10-004		DLP BLADE BKT B	1
10-00A		PADDLESHAFT ASSY	1
10-006		DLP SPRING	3
10-007		TONER SPRING	1
10-008		CABLE ASSY PCA5040	1
10-009		TONER SENSOR ASSY	1
10-010		CARTRIDGE STOPPER	1
10-011		Z50 SPRING	1
10-012		GEAR Z50	1
10-013		DLP COVER CAM	1
10-014		DLP SIDE COVER	1
10-015		MAGNET BRACKET	1
10-016		DLP PULLEY	2
10-017		DLP BEARING	2
10-018		DLP SIDE FRAME	1
10-019		MAGNET BKT B	1
10-020		DLP SEAL F	1
10-021		DLP SEAL J	2
10-022		DLP SEAL G	2
10-023		DLP SEAL D	2
10-024		DLP SEAL C	1
10-025		DLP SEAL E	1
10-026		DLP SEAL H	1
10-027		DLP SEAL B	1
10-028		DLP SEAL K	1
10-029		DLP CASE	1
10-030		SCREW BUSHING	1
10-031		GEAR Z28 M	1
10-032		GEAR Z12-Z22	1
10-033		GEAR Z14-Z20	1
10-034		DLP BLADE BKT A	1
10-035		DLP BLADE	1
10-036		BLADE MAGNET	1
10-037		MAGNET ROLLER	1
10-038		ROLLER COVER	1
10-039		GEAR Z11	1

Fig.11 – Fuser



Ref No.	Part Code	Description	Quantity
11-000	5AAYW3****02	FUSER 220V-240V	1
11-001		FUSER COVER SHEET B	1
11-002		ROLLER CLEANER	1
11-003		FUSER COVER A	1
11-004		SEPARATOR	4
11-005		SEPARATOR SPRING	4
11-006		FUSER COVER B	1
11-007		FUSER PAPER GUIDE B	1
11-008		GEAR Z28	1
11-009		FUSER GEAR Z31-Z43	1
11-010		GEAR PIN	1
11-011		GEAR SPRING	1
11-012		GEAR PLATE	1
11-013		FUSER GEAR Z35	1
11-014		GEAR BRACKET	1
11-015		FUSER GEAR Z20	1
11-016		FUSER JOINT COLLAR	1
11-017		FUSER GEAR Z15 B	1
11-018		JOINT PIN	1
11-019		FUSER GEAR Z15 A	2
11-020		FUSER JOINT SPRING	1
11-021		FUSER JOINT PLATE	1
11-022		STOP RING	2
11-023		FUSER GEAR Z28	1
11-024		FUSER BEARING	2
11-025		BEARING SLEEVE	2
11-026		PRESS PLATE PIN	2
11-027		FUSER SPRING	2
11-028		PRESSURE PLATE	2
11-029		PAPER CHUTE ASSY	1
11-030	5MMT877AX001	FIXING ROLLER	1
11-031		FUSER FRAME	1
11-032	5MMT886SX009	PRESS ROLLER	1
11-033		PRESS ROLLER BEARING	2
11-034		SEPARATE PLATE	4
11-035		FUSER PAPER GUIDE A	1
11-036		EXIT COVER	1
11-037		SEPARATOR GUIDE	2
11-038		FUSER PAPER GUIDE C	2
11-039	5EZPB2413320202	FUSER HEATER LAMP	1
11-040	5ENTTC180P1.203	THERMISTOR	1
11-041	5AAXTF00SVDA	THERMAL FUSE	1
11-042	5AAVCLEAN006	FUSER CLEANING PAD	1

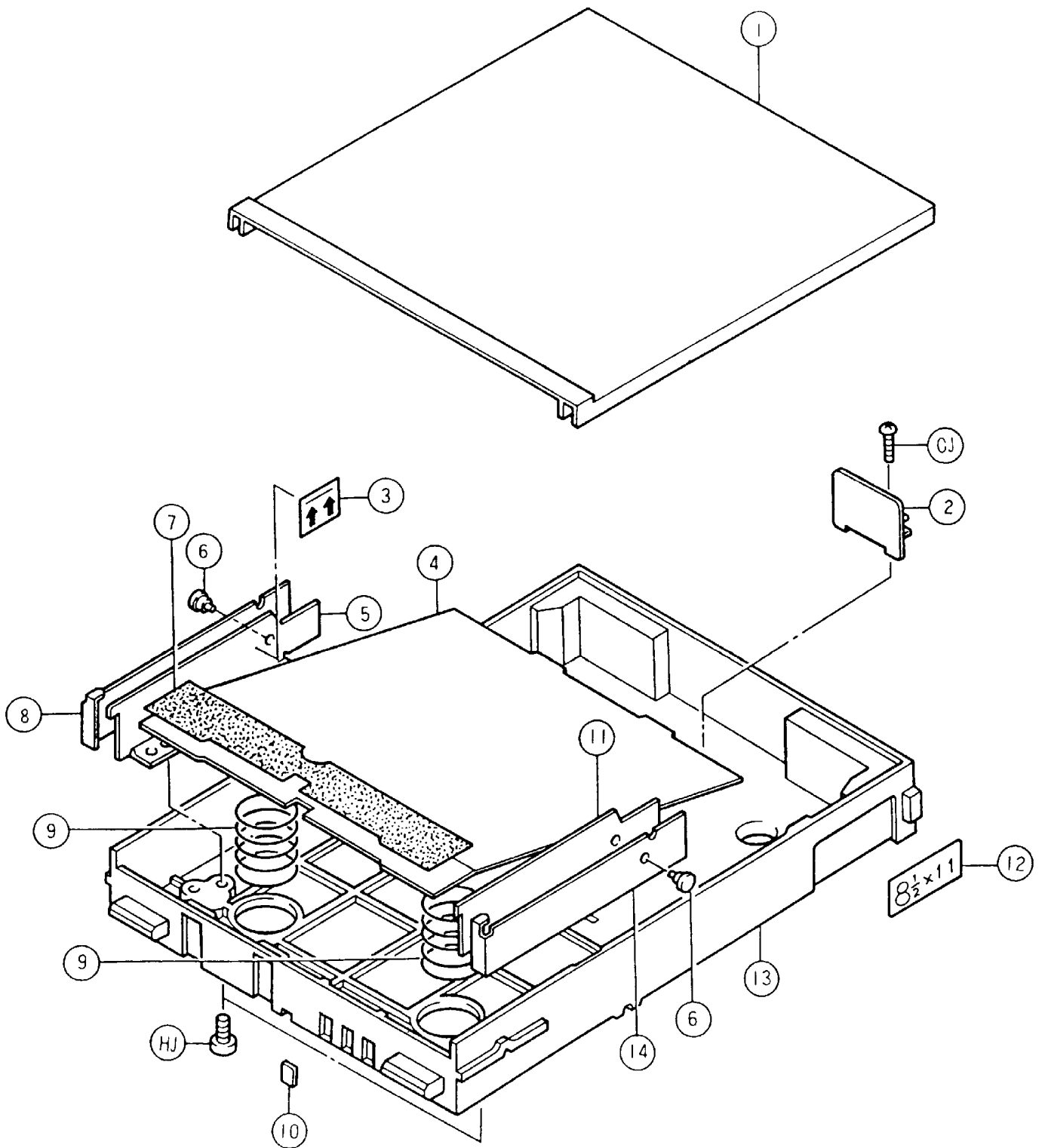


Fig.12 - Paper Cassette

Ref No.	Part Code	Description	Quantity
12-000	PC2-LTR	CASSETTE LETTER	1
12-000	PC2-A4	CASSETTE A4	1
12-000	PC2-B4	CASSETTE B5	1
12-000	PC2-LGL	CASSETTE LEGAL	1
12-001		CASSETTE COVER LETTER/A4/B5	1
12-001		CASSETTE COVER LEGAL	1
12-002		PAPER END M	1
12-003		PAPER LIMIT LABEL	1
12-004		PAPER BOTTOM LTR	1
12-004		PAPER BOTTOM A4	1
12-004		PAPER BOTTOM B5	1
12-005		NAIL SUPPORT R	1
12-006		CASSETTE PIN	2
12-007		PAD LETTER	1
12-007		PAD A4	1
12-007		PAD B5	1
12-008		NAIL R	1
12-009		CASSETTE SPRING	2
12-010		MAGNET	1
12-011		NAIL SUPPORT F	1
12-012		SIZE PLATE LTR	1
12-012		SIZE PLATE A4	1
12-012		SIZE PLATE B5	1
12-012		SIZE PLATE RGL	1
12-013		CASSETTE CASE LETTER A4 B5	1
12-013		CASSETTE CASE B LEGAL	1
12-014		NAIL F	1

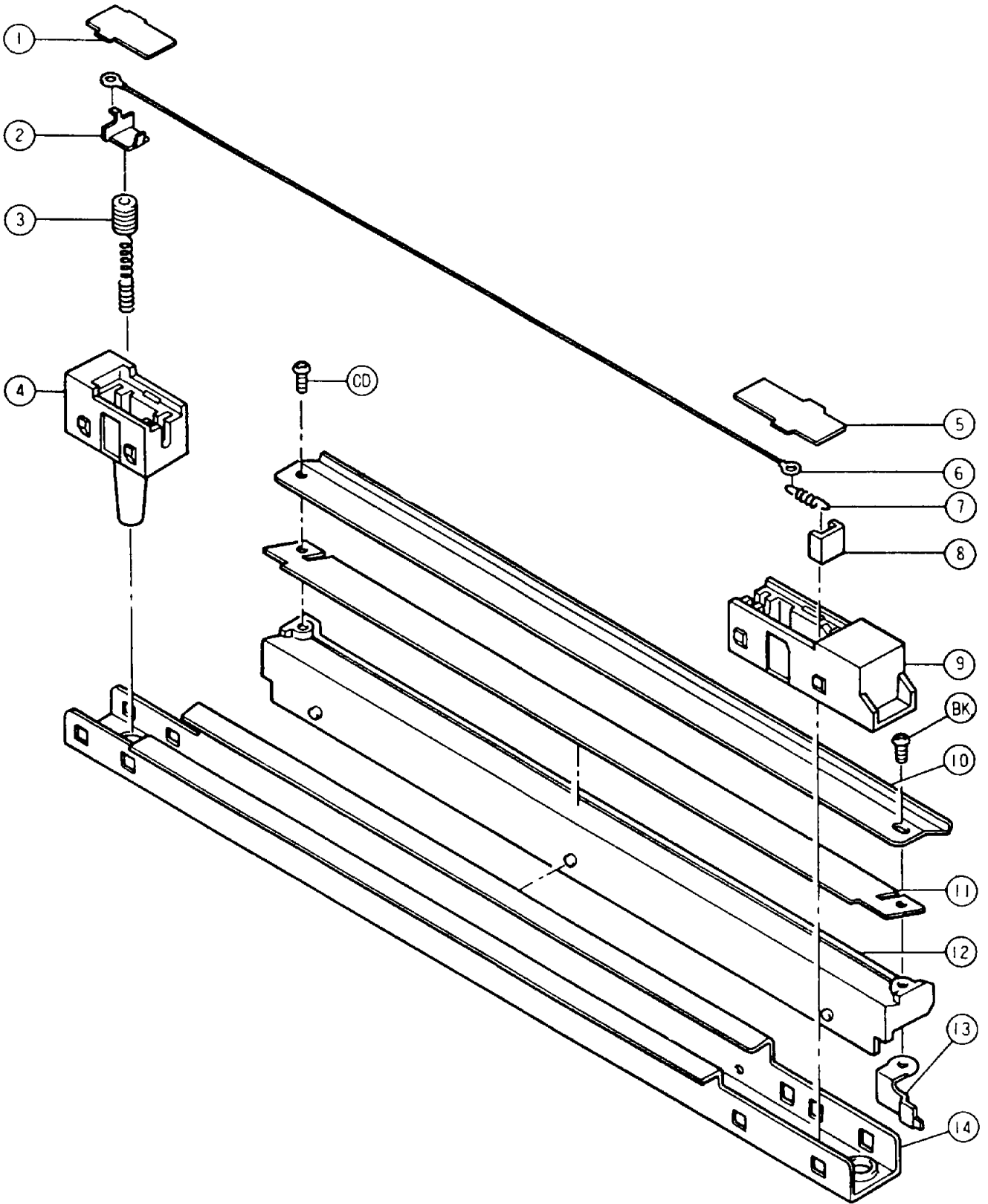
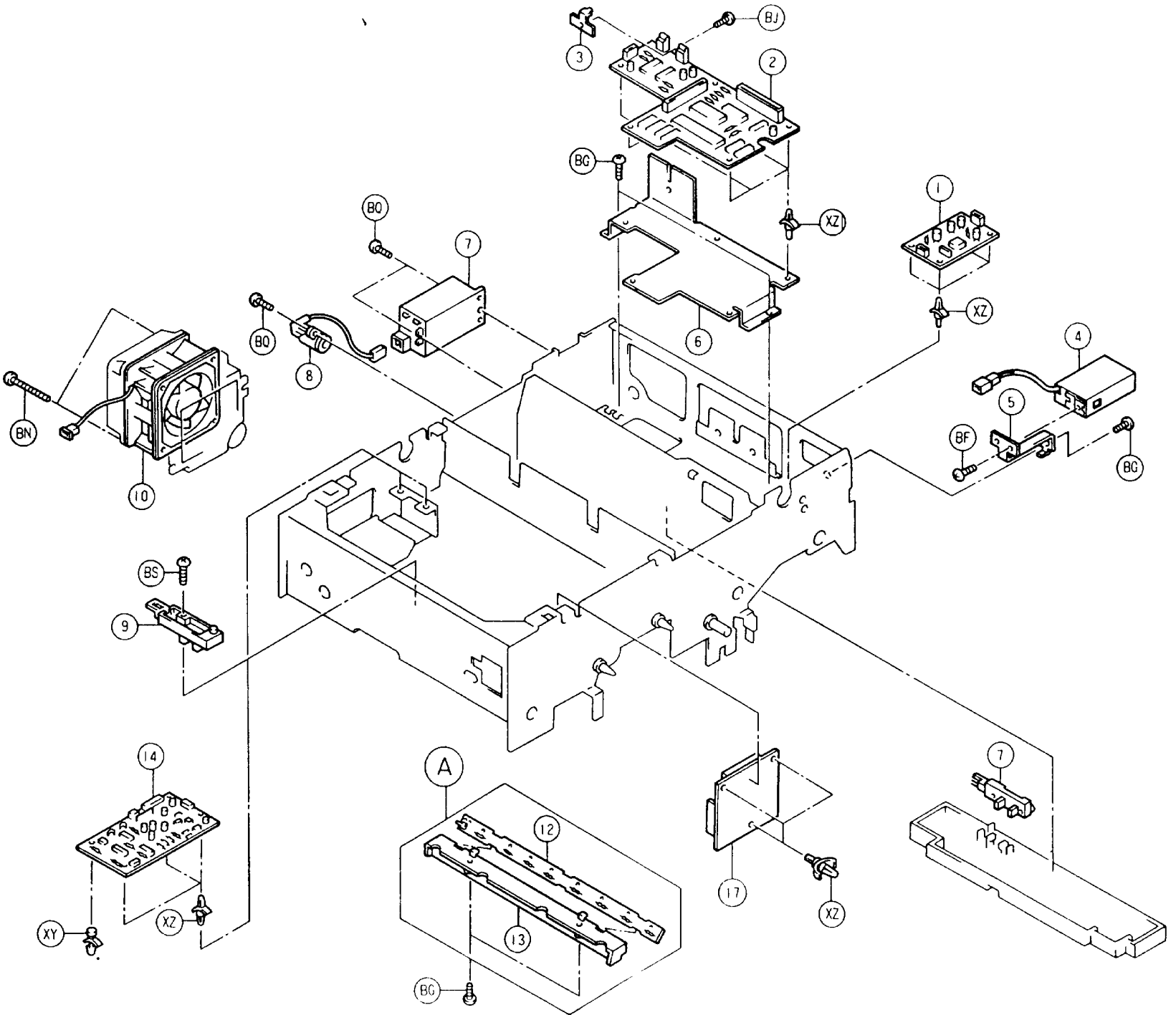


Fig.13 – Transfer Charger

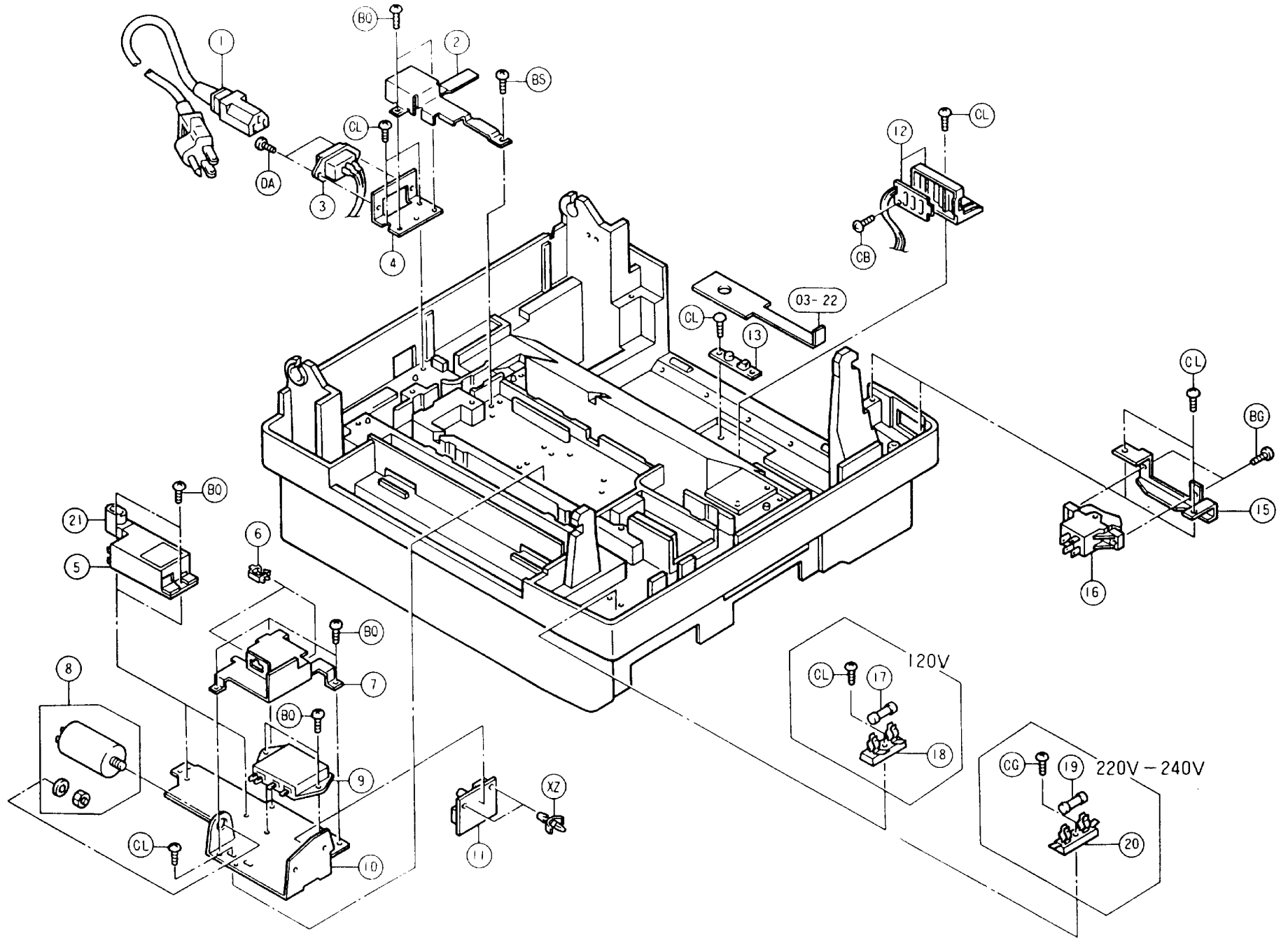
Ref No.	Part Code	Description	Quantity
13-000	5AAVSHILD033	Transfer Charger	1
13-001		TC End Block Lid A	1
13-002		TC Wire Hook A	1
13-004		TC Contact	1
13-005		TC End Block A	1
13-006		TC End Block Lid B	1
13-007	5MMW801XJ003	TC Corona Wire	1
13-007		CHG Spring B	1
13-008		TC Wire Hook B	1
13-009		TC End Block B	1
13-010		TC Paper Chute A	1
13-011		Shield Sheet	1
13-012		TC Paper Chute B	1
13-013		Earth Plate	1
13-014		TC Shield Case	1

Fig.14 – Upper-Half (Electrical)



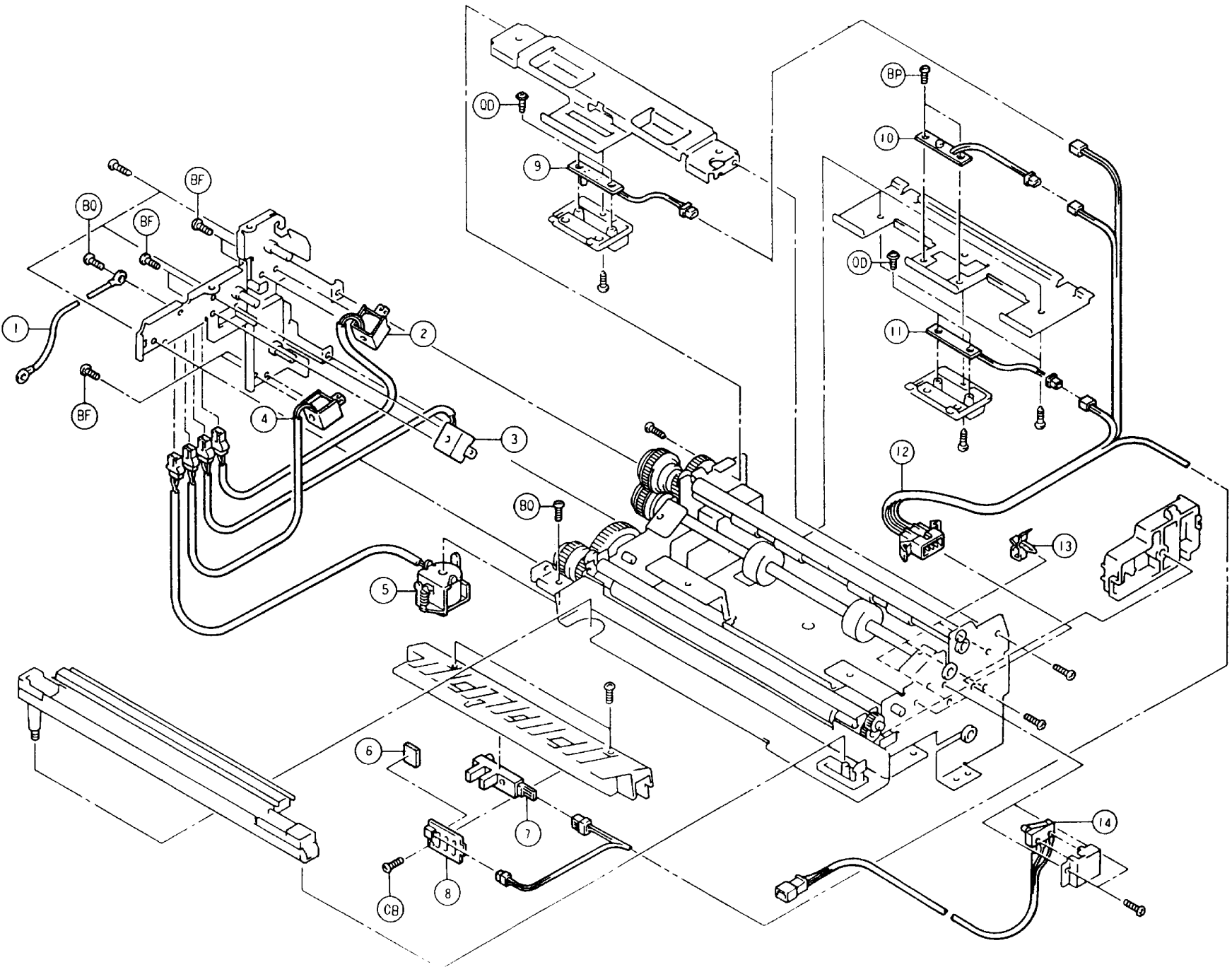
Ref No.	Part Code	Description	Quantity
14-001	5ETNB60101***01	Developer Bias PWB	1
14-002	5AAPRCZG2001AH	P.W.B Assy KP-018	1
14-003		TR-Press Plate	1
14-004		Total Counter	1
14-005	5MMZ252SL001	Counter Bkt KC	1
14-006	5MMC776SL001	Panel Cont Bkt	1
14-007	5ETNB66202***01	Main HV Unit	1
14-008	5MVX543XN001	MCH Connect	1
14-009	5ENXGP1A05HR*01	Sensor GP1A05HR	2
14-010	5EZNF2403001*01	Fan Motor A	1
14-011		APC PWB	1
14-0A	5AAMW***02	Eraser Assy	1
14-012		L.E.D. Assy	1
14-013		Erase Lamp Holder	1
14-014	5AAPRAPC1004AH	P.W.Board Assy	1

Fig.15 – Lower-Half (Electrical)



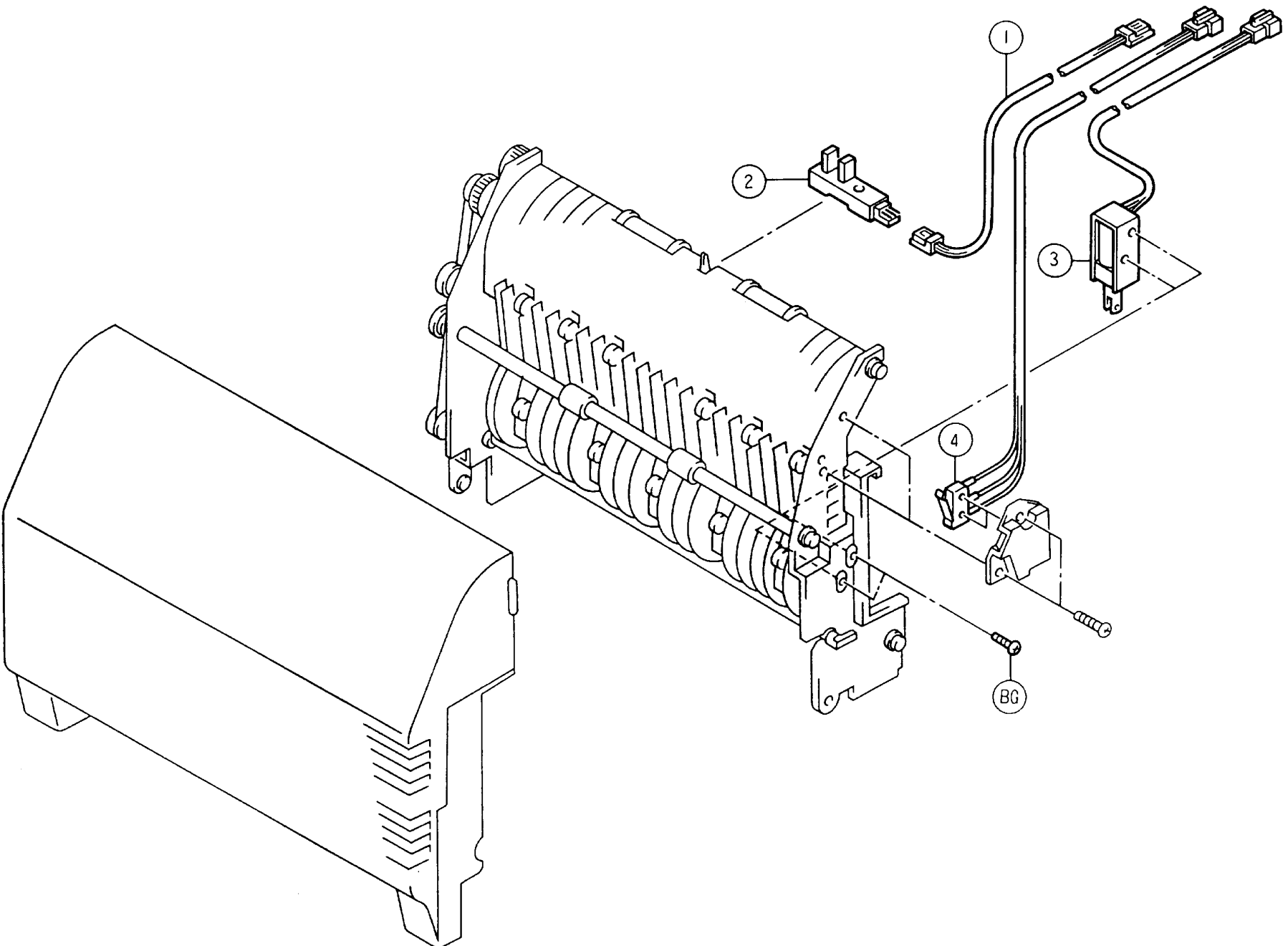
Ref No.	Part Code	Description	Quantity
15-001	5AAACAC278EEA	Power Cord 250V 6A	1
15-003	5AACCNBB2GEA	Inlet Assy CCA4001	1
15-004	5MML643SL003	Inlet Bracket	1
15-005	5ETNB66201***01	Transfer HV Unit HVC-3MC60	1
15-006		Edging Saddle EDS-1	2
15-007		Cord Part Plate	1
15-008	5EFNZSB22100501	Noise Filter 250V 15A	1
15-009	5EZR1G012301*01	Solid State Relay 120V	1
15-010		Elec. Plate	1
15-011	5APRHC002BA	Heat Control PWB	1
15-012	5AAXAP002GEA	Cassette Sensor Assy	1
15-013	5AAPRSS005FA	PEP Board Assy B	1
15-015	5MMX633SL006	SW Bracket	1
15-016	5ESC020103***01	Main Switch J-U1054	1
15-017	5EYFBP10301**01	Line Fuse 125V 10A	1
15-018	5EYHF103101**01	Fuse Block 120V	1
15-019	5EYFBQ50205**01	Line Fuse 250V 5A	1
15-020	5EYHF102004**01	Fuse Block 220V-240V	1
15-021	5MVX332XH001	TC Receptable	1

Fig.16 – Paper-Feed (Electrical)



Ref No.	Part Code	Description	Quantity
16-001		Cable Assy PCA2032	1
16-002	5EZSA2403010305	Solenoid A-3	1
16-003	5EZSA2403010304	Solenoid A-2	1
16-004	5EZSA2403010302	Solenoid A-1	1
16-005	5EZSA2403010102	Solenoid B	1
16-006		Solenoid Pad	1
16-007	5ENXGP1A05HR*01	Sensor GP1A05HR	1
16-009	5AAPRSS005CA	PEP PWB Assy C LED	1
16-010	5AAPRSS005EA	PEP Board Assy E	1
16-011	5AAPRSS005DA	PEP Board Assy D	1
16-012		Cable Assy CCA5022	1
16-013		Mini Clamp	1
16-014		Inter Lock SW Assy	1

Fig.17 – Face-Down Unit (Electrical)



Ref No.	Part Code	Description	Quantity
17-001		Cable Assy CCA2020	1
17-002	5ENXGP1A05HR*01	Sensor GP1A05HR	1
17-003	5EZSA2401020301	Solenoid C TDS-KN07A	1
17-004	5AAXSW019GEA	FD SW Assy	1

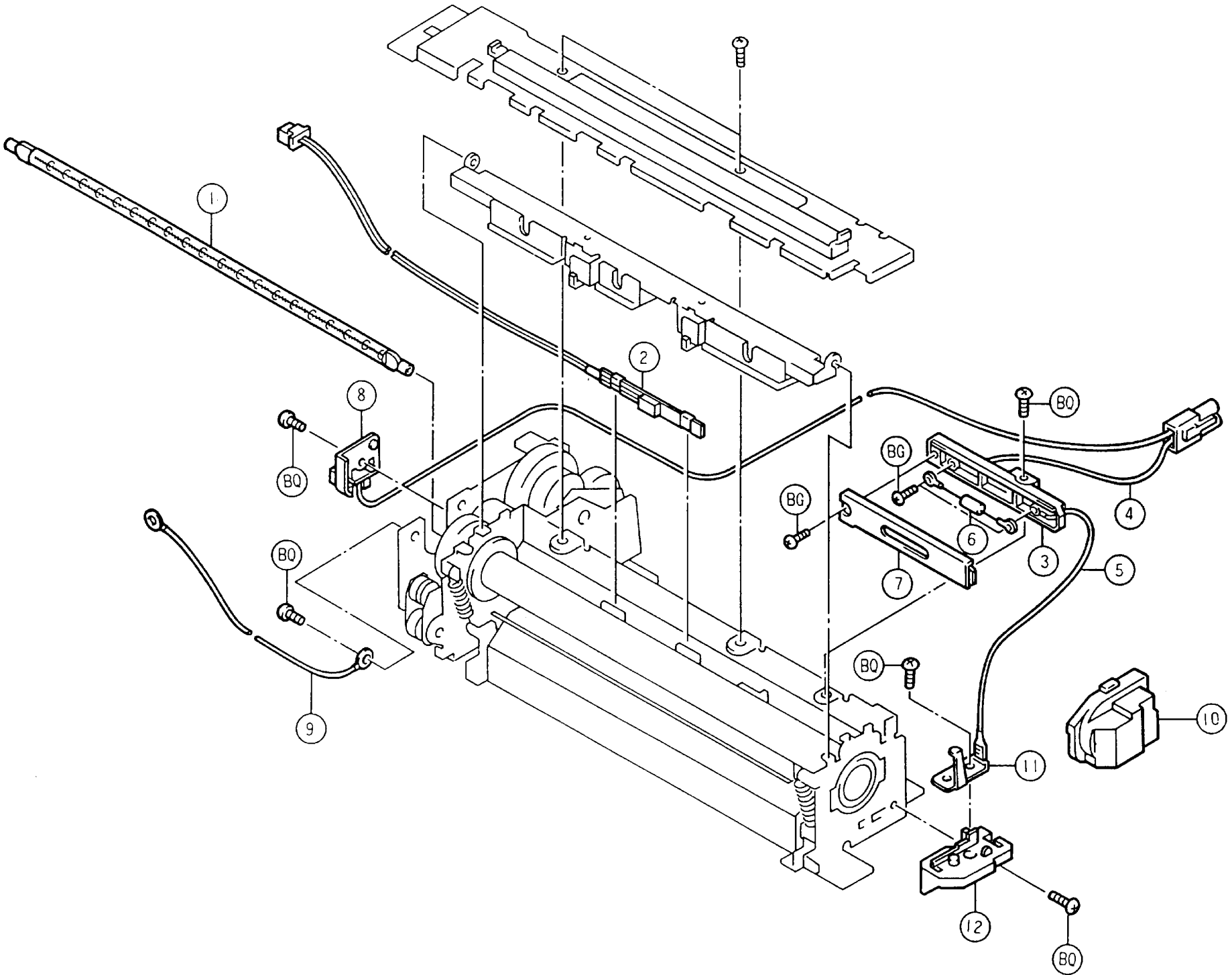
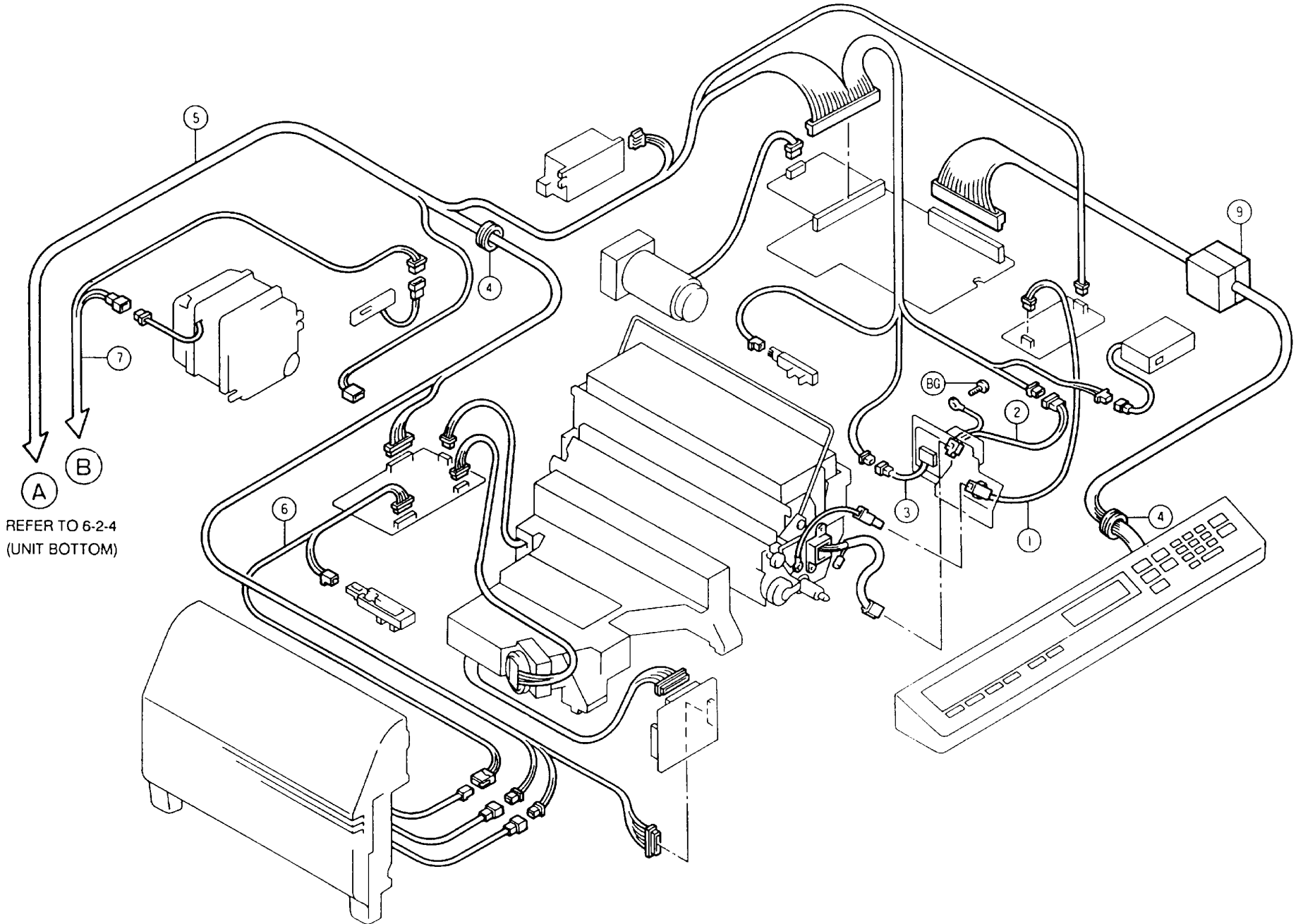


Fig.18 – Fuser (Electrical)

Ref No.	Part Code	Description	Quantity
18-001		HEATER 240V 800W	1
18-002		THERMISTOR TC180PR2KBW-3	1
18-003		FUSE BRACKET	1
18-004		CABLE ASSY PCA4024	1
18-005		CABLE ASSY PCA3023	1
18-006		THERMAL FUSE ASSY	1
18-007		TEMP FUSE COVER	1
18-008		LAMP HOLDER R	1
18-009		CABLE ASSY PCA2031	1
18-010		TERMINAL COVER	1
18-011		LAMP HOLDER F	1
18-012		LAMP HOLDER BRACKET	1

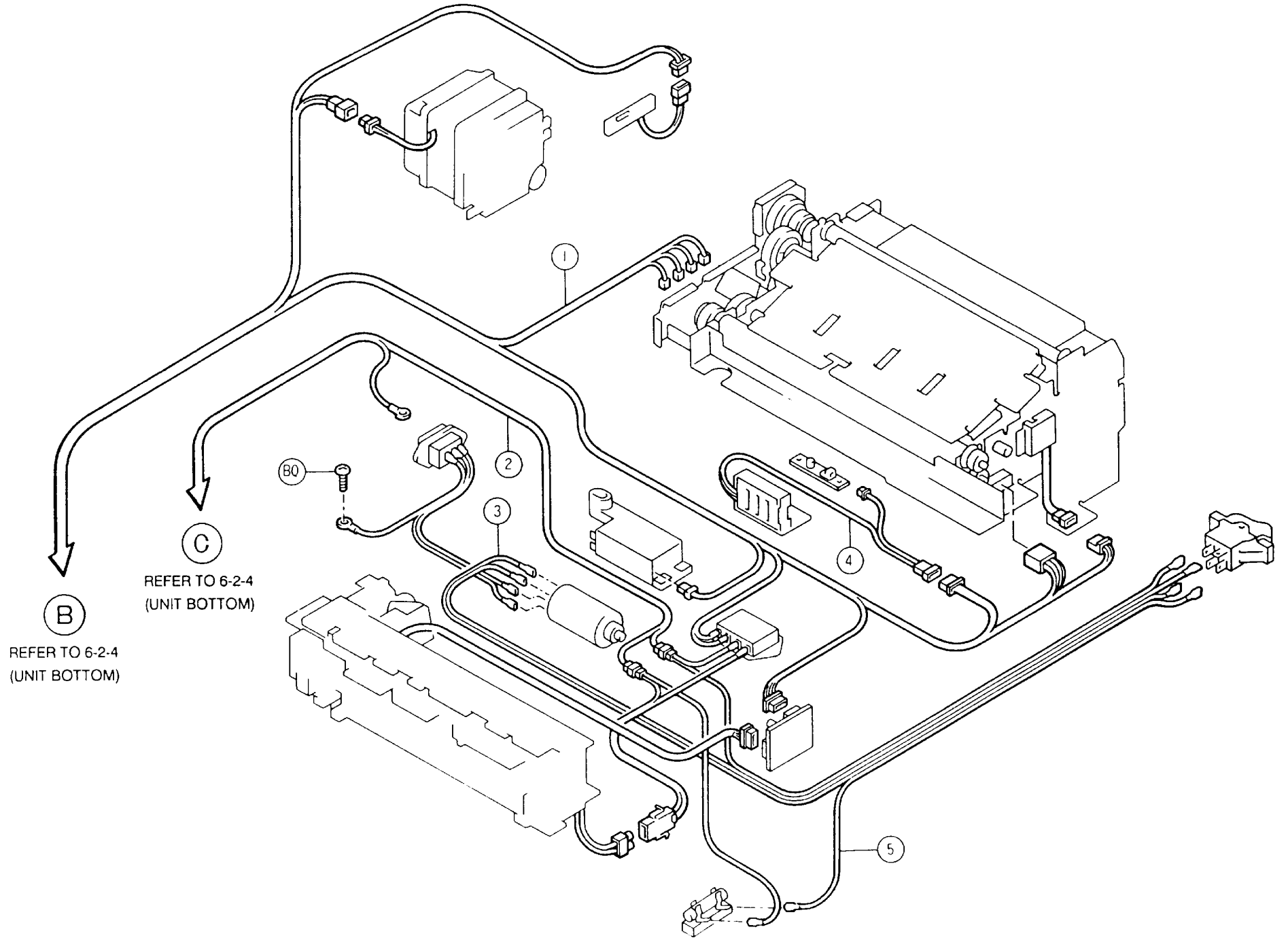
Fig.19a – Upper-Half (Harness)



REFER TO 6-2-4
(UNIT BOTTOM)

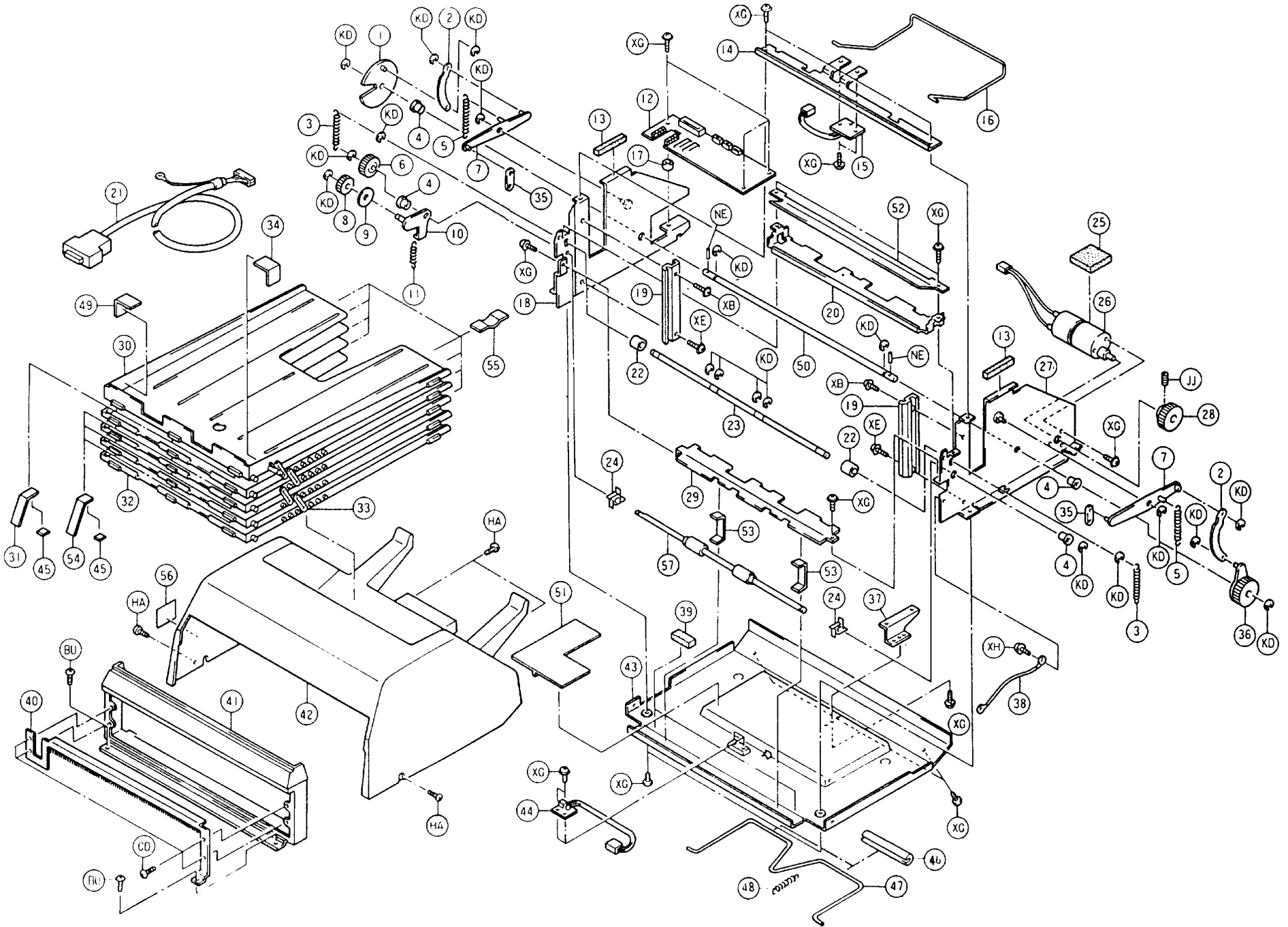
Ref No.	Part Code	Description	Quantity
19-101		Cable Assy PCA2039	1
19-102		Cable Assy PCA3041	1
19-103		Hopper SW Assy	1
19-104		Bushing	2
19-105		Cable Assy CA2	1
19-106		Cable Assy CCA3021	1
19-107		Cable Assy CA1	1
19-109		Ferrite Core NF35UU26	2

Fig.19b – Lower-Half (Harness)



Ref No.	Part Code	Description	Quantity
19-201		Cable Assy CA1	1
19-202		Cable Assy CA8	1
19-203		Cable Assy CCA4002	1
19-204		Cable Assy CCA3023	1
19-205		Cable Assy CCA4004	1

Fig.20 – Sorter (Optional)



Ref No.	Part Code	Description	Quantity
20-000	AAVSORTR002	Sorter Entirety	1
20-001		Sensor Plate	1
20-002		Link Plate (C)	2
20-003		Spring Roll Tension	2
20-004		Bearing BushU	4
20-005		Spring Arm	2
20-006		Gear Feed Roller	1
20-007		Arm Assy	2
20-008		Idle Gear	1
20-009		Collar Idle Gear	1
20-010		Idler B	1
20-011		Spring-Idler	1
20-012		PWB Assy Main	1
20-013		Cushion Up-side Frame	2
20-014		P/S Bracket	1
20-015		Pib Phiti Assy (U)	1
20-016		Paper Holder (#1)	1
20-017		PWB Spacer	1
20-018		Side Frame L Assy	1
20-019		Tray Guide	2
20-020		Baffle (B) Up	1
20-021		Cont. Cable Assy	1
20-022		Roller	2
20-023		Shaft Feed	1
20-024		Feed Pulley	2
20-025		Cushion Motor (S)	1
20-026		Harness Assy Motor	1
20-027		Side Frame R Assy	1
20-028		Motor Gear	1
20-029		Baffle (B) Down	1
20-030		Tray (A)	1
20-031		Tongue #2	3
20-032		Tray (B)	4
20-033		Link Plate (A)	8
20-034		Paper Gate (R)	1
20-035		Link Plate (B)	2
20-036		Clank Pulley Gear	1
20-037		PWB Support	1
20-038		Grd Wire Assy	1
20-039		Cushion	2
20-040		Erase Assy	1
20-041		Joint Bracket	1
20-042		Cabinet	1
20-043		Base Plate	1
20-044		Pib Photo Assy (L)	1

Ref No.	Part Code	Description	Quantity
20-045		Support Tongue	12
20-046		Stand Cover	2
20-047		Stand	1
20-048		Spring Stand	1
20-049		Paper Gate (L)	1
20-050		Drive Shaft	1
20-051		Harness Cover	1
20-052		Tie Plate	1
20-053		Paper Stopper F	2
20-054		Tongue #3-#5	9
20-055		Paper Stopper R	8
20-056		Serial No. ID	1
20-057		Feed R/L Assy	1